

**Model 2003RP
AC Power Source
User and Programming Manual**

TEL: +1 (858) 677-9040

FAX: +1 (858) 677-0940

Email: sales@calinst.com

Web Site: <http://www.calinst.com>

User and Programming Manual

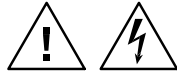
AC Power Source

California Instruments

Models:

- 2003RP
- 2003RP-AV

© Copyright 2000-2004 California Instruments, Rev J, July 2004



SAFETY SUMMARY

This power source contains high voltage and current circuits, which are potentially lethal. Because of its size and weight, electrical and mechanical stability must be ensured. The following safety guidelines must be followed when operating or servicing this equipment. These guidelines are not a substitute for vigilance and common sense. California Instruments assumes no liability for the customer's failure to comply with these requirements. If the power source is used in a manner not specified by California Instruments, the protection provided by the equipment may be impaired.

APPLYING POWER AND GROUNDING

Verify the correct voltage is applied to the unit (120 or 230 VAC Nominal). Verify that the input power cord is plugged into a properly grounded utility outlet.

FUSES

Use only fuses of the specified current, voltage, and protection speed.
Do not short out the fuse holder or use a repaired fuse.

DO NOT OPERATE IN A VOLATILE ATMOSPHERE

Do not operate the power source in the presence of flammable gases or fumes. This product is designed to operate in a controlled environment. Do not expose to rain or snow.

DO NOT TOUCH ENERGIZED CIRCUITS

Disconnect the power cable before servicing this equipment. Even with the power cable disconnected, high voltage can still exist on some circuits. Discharge these voltages before servicing. Only qualified service personnel may remove covers, replace components or make adjustments.

DO NOT SERVICE ALONE

Do not remove covers, replace components, or make adjustments unless another person, who can administer first aid, is present.

DO NOT EXCEED INPUT RATINGS

Do not exceed the rated input voltage or frequency. Additional hazards may be introduced because of component failure or improper operation.

DO NOT MODIFY INSTRUMENT OR SUBSTITUTE PARTS

Do not modify this instrument or substitute parts. Additional hazards may be introduced because of component failure or improper operation.

MOVING THE POWER SOURCE

When moving the power source, observe the following:

1. Remove all AC power to unit.
2. Use two people to prevent injury.

SURFACE STABILITY

Operate the power source only on a level surface.

SAFETY SYMBOLS:



THIS SYMBOL INDICATES DIRECT CURRENT



THIS SYMBOL INDICATES ALTERNATING CURRENT



THIS SYMBOL INDICATES BOTH DIRECT AND ALTERNATING CURRENT



THIS SYMBOL INDICATES THREE-PHASE ALTERNATING CURRENT



THIS SYMBOL INDICATES EARTH (GROUND) TERMINAL



THIS SYMBOL INDICATES PROTECTIVE CONDUCTOR TERMINAL



THIS SYMBOL INDICATES FRAME OR CHASSIS TERMINAL



THIS SYMBOL INDICATES ON (SUPPLY)



THIS SYMBOL INDICATES OFF (SUPPLY)



THIS SYMBOL INDICATES CAUTION, RISK OF ELECTRIC SHOCK



THIS SYMBOL INDICATES CAUTION (REFER TO ACCOMPANYING DOCUMENTS)

WARRANTY INFORMATION

CALIFORNIA INSTRUMENTS CORPORATION warrants each instrument manufactured by them to be free from defects in material and workmanship for a period of one year from the date of shipment to the original purchaser. Excepted from this warranty are fuses and batteries that carry the warranty of their original manufacturer where applicable. CALIFORNIA INSTRUMENTS will service, replace, or adjust any defective part or parts, free of charge, when the instrument is returned freight prepaid, and when examination reveals that the fault has not occurred because of misuse, abnormal conditions of operation, user modification, or attempted user repair. Equipment repaired beyond the effective date of warranty or when abnormal usage has occurred will be charged at applicable rates. CALIFORNIA INSTRUMENTS will submit an estimate for such charges before commencing repair, if so requested.

SERVICE PROCEDURE

If a fault develops, notify CALIFORNIA INSTRUMENTS at support@calinst.com or its local representative, giving full details of the difficulty, including the model number and serial number. On receipt of this information, service information or a Return Material Authorization (RMA) number will be given. Add the RMA number furnished to the shipping label. Pack the instrument carefully to prevent transportation damage, affix label to shipping container, and ship freight prepaid to the factory. CALIFORNIA INSTRUMENTS shall not be responsible for repair of damage due to improper handling or packing. Instruments returned without RMA No. or freight collect may be refused at California Instruments discretion. Instruments repaired under Warranty will be returned either via prepaid surface freight or low cost airfreight at California Instruments discretion. Instruments repaired outside the Warranty period will be returned freight collect, Ex Works CALIFORNIA INSTRUMENTS 9689 Towne Centre Drive, San Diego, CA 92121-1964. If requested, an estimate of repair charges will be made before work begins on repairs not covered by the Warranty.

DAMAGE IN TRANSIT

The instrument should be tested when it is received. If it fails to operate properly, or is damaged in any way, a claim should be filed immediately with the carrier. The claim agent should obtain a full report of the damage, and a copy of this report should be forwarded to us by fax or email (Fax: 858 677 0940, Email: support@calinst.com). CALIFORNIA INSTRUMENTS will prepare an estimate of repair cost and repair the instrument when authorized by the claim agent. Please include model number and serial number when referring to the instrument.

SPARE PARTS

To order spare parts, user manuals, or determine the correct replacement part for your California Instruments products, please contact the Customer Service department by phone at + 1 858 677 9040, press 2 or by email support@calinst.com.

Table of Contents

1	Introduction	1
1.1	General Description	1
1.2	Accessory Equipment/Rack Slides	1
2	Specifications	3
2.1	Electrical	3
2.2	Supplemental	6
2.3	Measurements [Option]	7
2.4	System Specification	8
2.5	Unit Protection	9
2.6	Mechanical	9
2.7	Environmental	10
2.8	Regulatory	10
2.9	Front Panel Controls	11
2.10	Available Options	12
3	Installation and Functional Test	13
3.1	Unpacking	13
3.2	Power Requirements	13
3.3	Input Voltage Range Selection	15
3.4	Mechanical Installation	18
3.5	Input Wiring	18
3.6	Output Connections	18
3.7	Output Voltage Ranges	20
3.8	Functional Test	21
3.9	Other Modes of Operation	22
4	Front Panel Operation	24
4.1	Functional Controls	24
4.2	How to examples	29
4.3	Setting the Power on Initialization Values	32
4.4	Current Limit Modes	33
4.5	Function Strobe [Option]	33
4.6	Remote Inhibit [Option]	34
5	Principle of Operation	36
5.1	General	36
5.2	Overall Description	36
5.3	DC Supply	36
5.4	Mother Board	39
5.5	Amplifier Modules	39
5.6	Oscillator Module	39
5.7	Range/Relay Board	40
5.8	Output Board	40
5.9	IEEE 488/RS232 Interface [Option]	40
6	Calibration	43
6.1	Calibration Equipment	43
6.2	Selecting Calibration Mode	44
6.3	Routine Calibration	45
6.4	Non-Routine Calibration	49

7	Service	53
7.1	General	53
7.2	Cleaning	53
7.3	Basic Operation	53
7.4	Module Removal	56
7.5	Replaceable Parts	59
8	Remote Control	61
8.1	Introduction	61
8.2	PGUI32 Program Requirements	61
8.3	IEEE Interface	63
8.4	RS232C Interface	64
8.5	PGUI32 Setup and Installation	66
8.6	Troubleshooting - RS232C	68
8.7	Troubleshooting - IEEE-488 / GPIB	71
8.8	PGUI32 Distribution Files	73
8.9	Software Registration	74
9	Introduction to SCPI	76
9.1	Conventions Used in This Manual	76
9.2	The SCPI Commands and Messages	76
9.3	Using Queries	78
9.4	Structure of a SCPI Message	78
9.5	SCPI Data Formats	81
9.6	Bus Throughput and Timing Considerations	81
10	SCPI Command Reference	82
10.1	Subsystem Commands	82
10.2	Calibration Subsystem	83
10.3	Measurement Subsystem	87
10.4	Instrument Subsystem	90
10.5	Source Subsystem	91
10.6	Output Subsystem	94
10.7	Limit Subsystem	98
10.8	Display Subsystem	99
10.9	System Commands	100
10.10	Common Commands	102
11	Programming Examples	108
11.1	Introduction	108
11.2	Bus Throughput and Timing Considerations	108
11.3	Making Measurements	110
12	Status Registers	113
12.1	Power-On Conditions	113
12.2	Standard Event Status Group	114
12.3	Status Byte Register	114
12.4	Examples	115
	Appendix A : SCPI Command tree	116
	Appendix B : SCPI Conformance Information	117
	Appendix C : Error Messages	118
	Index	119

List of Figures

Figure 2-1: Available RMS Current as function of Output Voltage and Frequency.	5
Figure 3-1: Model 2003RP AC Power Source	13
Figure 3-2: Rear Panel View	14
Figure 3-3: Internal Jumper Location, Input Line Voltage 107/115.....	16
Figure 3-4: Internal Jumper Location, Input Line Voltage 208/230.....	17
Figure 3-5: Input and Output Wiring.....	19
Figure 3-6: Test Setup 2003RP.	22
Figure 4-1: Front Panel View	24
Figure 4-2: Voltage Auto Range Switch Over Points	26
Figure 4-3: Control Knob.....	27
Figure 5-1: AC Power System Block Diagram	39
Figure 6-1: Test Equipment Hookup for Routine Output and Voltage Measurement Calibration	45
Figure 6-2: Test Equipment Hook-up for Current and Power Measurement Calibration.....	46
Figure 6-3: Internal Adjustments	51
Figure 7-1: Assembly Location.....	57
Figure 8-1: Rear Panel View	62
Figure 8-2: GPIB Address Selection Switch	63
Figure 8-3: RS232C Interface Cable Wiring Diagram.....	66
Figure 8-4: System Properties Dialog Box.....	69
Figure 8-5: COM Port Properties Dialog Box.....	69
Figure 8-6: Advanced Port Settings Dialog Box.....	69
Figure 8-7: NI AT-GPIB/TNT Settings.....	71
Figure 8-8: NI AT-GPIB/TNT Advanced Settings Dialog	71
Figure 9-1: Partial Command Tree.....	77
Figure 9-2: Command Message Structure.....	79
Figure 12-1: AC Source Status System Model	113

List of Tables

Table 1-1: Available models.....	1
Table 3-1: Maximum Output Wiring Lengths	19
Table 4-1: Factory Default Power on Settings.....	32
Table 6-1: Load Resistors and Current.....	43
Table 6-2: CAL Mode Status LED Indicators.....	44
Table 7-1: Basic Symptoms	53
Table 7-2: Poor Output Voltage Accuracy	53
Table 7-3: Poor Output Voltage Regulation.....	54
Table 7-4: Distorted Output.....	54
Table 7-5: Unit Shuts Down After 3-5 Seconds	54
Table 7-6: No Output and No Lights on Front Panel	54
Table 7-7: No Output But "Display" Is On	55
Table 7-8: Replaceable Parts	59
Table 7-9: Fuses	60
Table 10-1: Mode Command Encoding	99
Table 10-2: Bit Configuration of Standard Event Status Enable Register	103
Table 10-3: Bit Configuration of Standard Event Status Register	104
Table 10-4: *RST Default Parameter Values	106
Table 10-5: Status Registers - Power on Conditions.....	106
Table 10-6: Bit Configuration of Status Byte Register	107
Table 12-1: Bus Error Messages	118

1 Introduction

This instruction manual contains information on the installation, operation, calibration and maintenance of the 2003RP AC power source.

1.1 General Description

The 2003RP AC source is a high efficiency, lightweight, three phase, 2000 VA, programmable AC power source. In addition to the standard 2003RP model, several options are available that may change the voltage and frequency ranges of the power source. This user manual covers the following models:

Model	Voltage ranges	No. of Outputs	Max. Current	Frequency range
2003RP	135 V _{RMS} 270 V _{RMS}	3	5 A _{RMS} 2.5 A _{RMS}	16 Hz – 5000 Hz
2003RP-AV ¹ Avionics version	115 V _{RMS} 230 V _{RMS}	3	5.9 A _{RMS} 2.9 A _{RMS}	360 Hz – 5000 Hz

Table 1-1: Available models

The output voltage terminals for each output phase are isolated from the chassis (earth) ground. The nominal input can be either 107/115 VAC or 208/230 VAC at 50/60/400 Hz line frequency.

Simple front panel controls enable the voltage, phase selection, current limit, and frequency to be changed. An optional RS232C and IEEE 488 interface is available for applications that require remote control and measurements. Settings are displayed for one output phase at a time. The selected phase can be toggled between A, B, and C using the phase select key.

1.2 Accessory Equipment/Rack Slides

General Devices Company Model C300S-120-B308 rack slides may be attached to the sides of the power source using 10-32 X 3/8 flat head screws.

¹ 2003RP-AV models may be factory configured with a single voltage range and fixed frequency output.

Page intentionally left blank

2 Specifications

All specifications at 25 ± 5 °C and 400 Hz output unless noted otherwise.

2.1 Electrical

Input

Parameter	Specification
Line Voltage:	107/120 V _{AC} \pm 10% 208/230 V _{AC} \pm 10%
Line Current:	35 A _{RMS} maximum, line voltage = 96 V _{AC} , full-load, PF = 0.6, Efficiency = 75%, (typical)
Inrush Current:	185 A _{PK} at 253 V _{AC} input line
Input power factor:	0.6 at full-load and 120 V _{AC} input
Line Frequency ¹ :	50/60 Hz \pm 5%
Efficiency:	75% typical (depending on line and load)
Hold-Up Time:	10 ms (with no effect on output)
Isolation Voltage:	1350 V _{AC} , input to chassis 2300 V _{AC} , input to output

Output

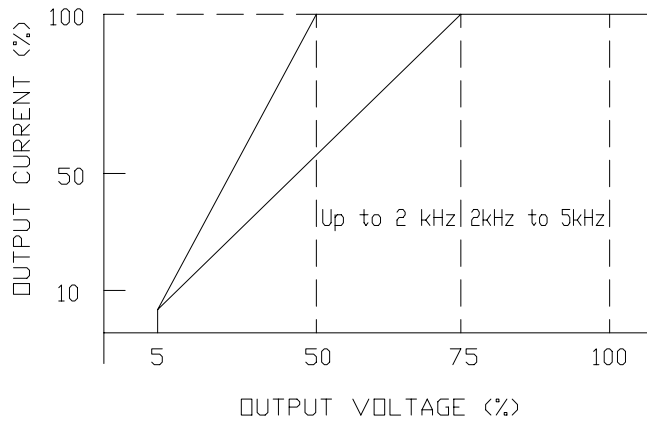
Parameter		Specification
Outputs		
	Phases:	3
	Mode:	AC
	Coupling:	AC
Voltage		
	2003RP:	0 to 135 V or 0 to 270 V (see Section 3.7)
	2003RP-AV:	0 to 115 V or 0 to 230 V or 0 to 115 V only (factory set)
	Resolution:	0.1 volt
	Accuracy ¹ :	\pm 0.1% of full scale, 16 Hz - 100 Hz \pm 0.2% of full scale, 100 Hz - 2000 Hz Applies from 10 to 100% of voltage range.
	Load Regulation ¹ :	\pm 0.1% of full scale, 16 Hz - 500 Hz



¹ Supplementary specification applies outside indicated frequency ranges.

Parameter	Specification		
External Sense:	Will compensate for up to 7% of voltage drop up to 2 kHz		
Line Regulation:	$\pm 0.02\%$ of full scale		
Settling time:	From start of voltage change from 5.0 V _{RMS} or higher voltage to within 2% of final value: No load: 16 ms Full load: 300 ms (16 ms to within 15% of final value)		
Distortion (THD into linear load):	0.5% typical, 1.0% maximum below 100 Hz 1.0% typical, 2.0% maximum 100 Hz - 2000 Hz		
DC Offset voltage:	AC coupled transformer output		
Output noise:	< 0.1 V _{RMS} typical (20 kHz to 1 MHz at full load)		
Temperature coefficient:	$\pm 0.02\%$ of full scale per degree C		
Stability: (24 hours)	$\pm 0.015\%$ of full scale under constant load, line and temperature		
Total Power:	2000 VA maximum at full scale voltage, either range		
Current per Output Phase			
	<u>Volt Range</u>	<u>A_{RMS}</u>	<u>A_{PEAK}</u>
2003RP:	135	5.0	15.0
	270	2.5	7.5
2003RP-AV:	115	5.9	17.6
	230	2.9	8.8
Adjustable Limit:	0.0 to Maximum available RMS current for selected voltage range. Maximum current is available for output voltage from 50% to 100% of range. Current derates below 50% of range setting. See derating chart.		

Parameter		Specification
Frequency		
	2003RP:	16.0 - 5000 Hz (see Figure 2-1) Maximum output voltage available from 45 Hz and up. Maximum voltage derates from 100% at 45 Hz to 35% at 16 Hz.
	2003RP-AV:	360.0 - 5000 Hz (see Figure 2-1)
	Resolution:	0.01 Hz from 16.00 to 80.00 Hz 0.1 Hz from 80.1 Hz to 800.0 Hz 1 Hz from 801 Hz to 5000 Hz
	Accuracy:	± 0.02% of programmed value
	Temperature coefficient:	± 5 ppm per degree Celsius
	Stability:	± 15 ppm per year
Impedance		
	Steady State:	(voltage range * 0.0005) / load current.



Steady state output impedance:
 =(voltage range * 0.0005)/load current.

Figure 2-1: Available RMS Current as function of Output Voltage and Frequency.

2.2 Supplemental

Note: Specifications listed below are typical and not guaranteed.

Parameter	Supplemental Specification
Line Frequency:	63 - 300 Hz (derate maximum output power 5%) 300 - 440 Hz (derate maximum output power 10%)
Output Voltage Accuracy (versus output frequency):	$\pm 1\%$ of full scale (2000 - 4000 Hz), $\pm 5\%$ of full scale (4000 - 5000 Hz)
Output Load Regulation (versus output frequency):	$\pm 2\%$ (500 - 1000 Hz), $\pm 5\%$ (1000 - 2000 Hz), $\pm 10\%$ (2000 - 4000 Hz) $\pm 20\%$ (4000 - 5000 Hz)
Measurement Accuracy:	stated $\pm 5\%$ of full scale (16 - 300 Hz), stated $\pm 1\%$ of full scale (500 - 5000 Hz)

2.3 Measurements [Option]

Note: Specifications listed below apply from 300 Hz to 500 Hz. Refer to Supplemental Specifications for frequencies outside this range.

Parameter		Specification	Unit
True RMS Current		Available on standard unit.	
	Ranges	0.000 - 4.000 0.00 - 6.00	A_{RMS} A_{RMS}
	Accuracy	0.2 % FS + 0.3 % reading	
	Resolution	0.001 0.01	A_{RMS} A_{RMS}
Peak Current			
	Ranges	(Remote only) 0.00 - 12.00 0.0 - 20.0	A_{PEAK} A_{PEAK}
	Accuracy	0.5 % FS + 0.5 % reading	
	Resolution	0.01 0.1	A_{PEAK} A_{PEAK}
Crest Factor		Available over bus only. Requires interface option	
	Range	0.00 - 4.00	
	Accuracy	0.05	
	Resolution	0.01	
True RMS Voltage			
	Range	0.0 - 300.0	V_{RMS}
	Accuracy	0.1 % FS + 0.05 % reading	
	Resolution	0.1	V_{RMS}
Real Power			
	Range	0 - 800.0	W
	Accuracy	0.2 % FS + 0.5 % reading	
	Resolution	0.1	W
Apparent Power		Available over bus only. Requires interface option	
	Range	0 - 800.0	VA
	Accuracy	0.3 % FS + 0.8 % reading	
	Resolution	0.1	VA

Parameter		Specification	Unit
Power Factor			
	Range	0.00 - 1.00	
	Accuracy	0.05	
	Resolution	0.01	

2.4 System Specification

Parameter	Specification	
Setup storage	Eight non-volatile front panel setup registers available through interface. Power-on setting register available from front panel.	
Interface	(Option package -OP1 required)	
RS-232C	Bi-directional serial interface	
	Handshake:	CTS, RTS
	Data bits:	8
	Stop bits:	1
	Parity:	None
	Baud rate:	19200
	Command syntax:	IEEE 488.2 commands and SCPI
IEEE-488	GPIB Interface	
	IEEE address:	set using dip switch on rear panel from 0 to 31
	IEEE functions:	SH1, AH1, T6, L3, RL2
	Terminators:	LF, CRLF, EOI
	Command syntax:	IEEE 488.2 commands and SCPI
Remote Inhibit	(Option package -OP1 required)	
	Input	Contact closure to ground or logic low TTL signal required to turn off output. Automatic recovery when RI signal is removed.
Function Strobe	(Option package -OP1 required)	
	Output	Active low TTL signal. Signal driven low for approximately 400 μ sec any time output voltage or frequency programmed value changes. Signal level may be changed by removing jumpers to open collector.

2.5 Unit Protection

Parameter	Specification
Input Overcurrent:	Circuit breaker
Transients:	Surge protection to withstand EN61000-4,-5 levels
Output Overcurrent:	Constant current operation (standard) 0.1 second shutdown (constant voltage mode option)
Output Short Circuit:	Peak current limit Shutdown (constant voltage mode Option)
Overtemperature:	Automatic shutdown

2.6 Mechanical

Parameter	Specification			
Dimensions:	Height	Width	Depth	Unit
	13.26	48.26	56.62	cm
	5.22	19	22.29	inch
Unit Weight:	2003RP 2003RP-AV	39 kg / 85 lb 34 kg / 76 lb		
Material:	Steel chassis and panels Aluminum cover			
Finish:	Painted semi-gloss polyurethane			
Cooling:	Fan cooled with air intake on sides and exhaust to rear			
Internal Construction:	Modular subassemblies			
Chassis Slides:	-RMS Option General Devices Model C300S-120-B308 (CI P/N 211045)			
Rear Panel Mounted Connectors:				
	Line Input	Marathon Special Products 985 GP 03		
	Output/Sense	Cinch 8-140Y		
	RS232C	9 pin D-subminiature		
	IEEE-488	GPIB standard 24 pin		
	Remote Inhibit	Isolated BNC (requires -OP1 option package)		
	Function Strobe	Isolated BNC (requires -OP1 option package)		

2.7 Environmental

Parameter	Specification
Operating Temp:	0 to +40 °C
Storage Temp:	-40 to +85 °C
Humidity:	Maximum relative humidity 80% for temperatures up to 31 °C decreasing linearly to 50% relative humidity at 40 °C
Altitude:	2000 m maximum
Pollution Degree:	2
Installation Category (Overvoltage Category) :	II indoor use only
Vibration:	Designed to meet NSTA 1A transportation levels
Shock:	Designed to meet NSTA 1A transportation levels

2.8 Regulatory

Parameter	Specification
Electromagnetic Emissions and Immunity:	Designed to meet EN50081-1 and EN50082-1 Emissions and Immunity standards as required for CE marking
Acoustic Noise:	65 dBA maximum at 0% to 50% load 75 dBA maximum greater than 50% load to 100% load (measured at one meter)
Safety:	Designed to meet EN61010-1 safety standard as required for CE marking

2.9 Front Panel Controls

Parameter	Specification
Controls:	Knobs: Two knobs allow continuous change of voltage, frequency and current limit for all three phase outputs. Voltage change is inactive on single voltage range configuration units.
	Function keys: Keys control output state, voltage range, LCD Display mode and selected phase for liquid crystal display.
Displays:	Two, 4 digit, 0.5" LCD: For viewing programmed voltage, frequency, current limit for all phases or for displaying measured current on selected phase.
Status Indicators:	13 LED's: HIGH (voltage range) AUTO (voltage range) FREQ (frequency display) I RMS (rms current display) I PK (peak current display) PWR (power display) PF (power factor display) A (phase selected for display) B (phase selected for display) C (phase selected for display) FAULT (of output voltage) REMOTE (interface active) OUTPUT (on, relay closed) (refer also to paragraph 4.1.1)
Phase Selection:	The phase selection and indication applies to the measurement readouts only. Settings of voltage, frequency and current made using the rotary knobs apply to all three phases.

2.10 Available Options²

Option	Description
-AV	Avionics version: 2003RP-AV <ul style="list-style-type: none"> • 115 V_{RMS} / 230 V_{RMS} volt ranges • 5.9 / 2.9 Amp RMS maximum current per phase • Frequency range limited to 360 Hz minimum. <i>The unit may be factory set to fixed frequency and single voltage range. The frequency range and voltage range setting can be queried over the bus if the -OP1 option is installed.</i>
-L22	Locking knobs. Prevents front panel change of voltage and frequency.
-OP1	Option package 1 includes: <ul style="list-style-type: none"> • Measurement Functions • Combined IEEE-488 / RS232C interface • Remote Inhibit Input • Function Strobe Output
-RMS	Rack mount slides CI P/N 211045 General Devices Model C300S-120-B308

² Additional options may have been made available since this manual revision. Installed options are listed on the power source's type label. A manual addendum may be issued for new options not covered by this manual.

3 Installation and Functional Test

3.1 Unpacking

Inspect the unit for any possible shipping damage immediately upon receipt. If damage is evident, notify the carrier. **DO NOT** return an instrument to the factory without prior approval. Do not destroy the packing container until the unit has been inspected for damage in shipment.

3.2 Power Requirements

The AC Power System has been designed to operate from a single phase AC line voltage. The nominal operating voltage is either 107/115V or 208/230V line input. The 2003RP line input setting is shown on the type label located on the rear panel.



Figure 3-1: Model 2003RP AC Power Source



WARNING:

Do not connect the unit to AC line input unless the nominal line input settings match those of the available AC line voltage.

3.2.1 AC Line Voltage

The AC Power Source has been designed to operate from either of the following AC line voltage ranges:

- 1) 107/115 volts
- 2) 208/230 volts

CAUTION: *The AC Power Source will be damaged if it is operated at an input voltage that is outside its configured input range.*

The input voltage range is set at the factory. Section 3.3 gives the procedure to change the input voltage range. The location for connection of the input line is shown in Figure 3-2.

3.2.2 Line Frequency Operating Range

The AC Power Source has been designed to operate from a line frequency of 50/60 Hz, and, derated, to 400 Hz.

3.2.3 Input Power

The input power to the AC Power Source depends upon line and load conditions and may be as high as 2650 watts.

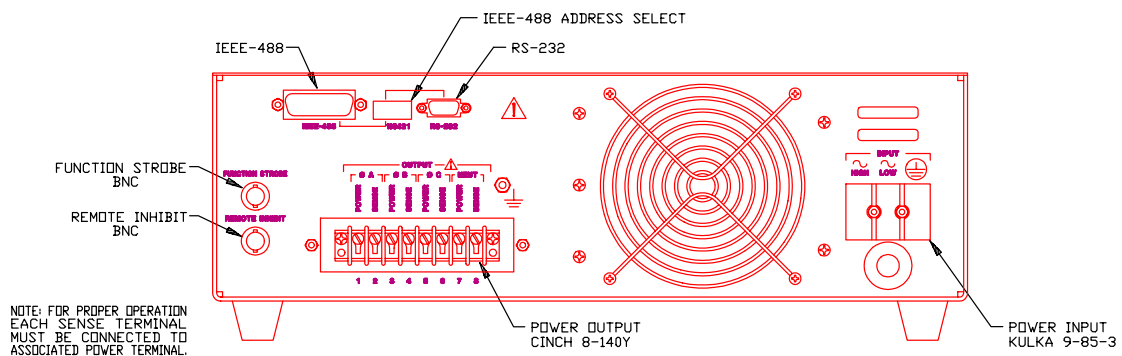


Figure 3-2: Rear Panel View

3.3 Input Voltage Range Selection

WARNING: Voltages up to 360 VDC and 270 VAC are present in certain sections of this power source. This equipment generates potentially lethal voltages.

DEATH: On contact may result if personnel fail to observe safety precautions. Do not touch electric circuits when power is applied. Servicing should only be performed by trained personnel.

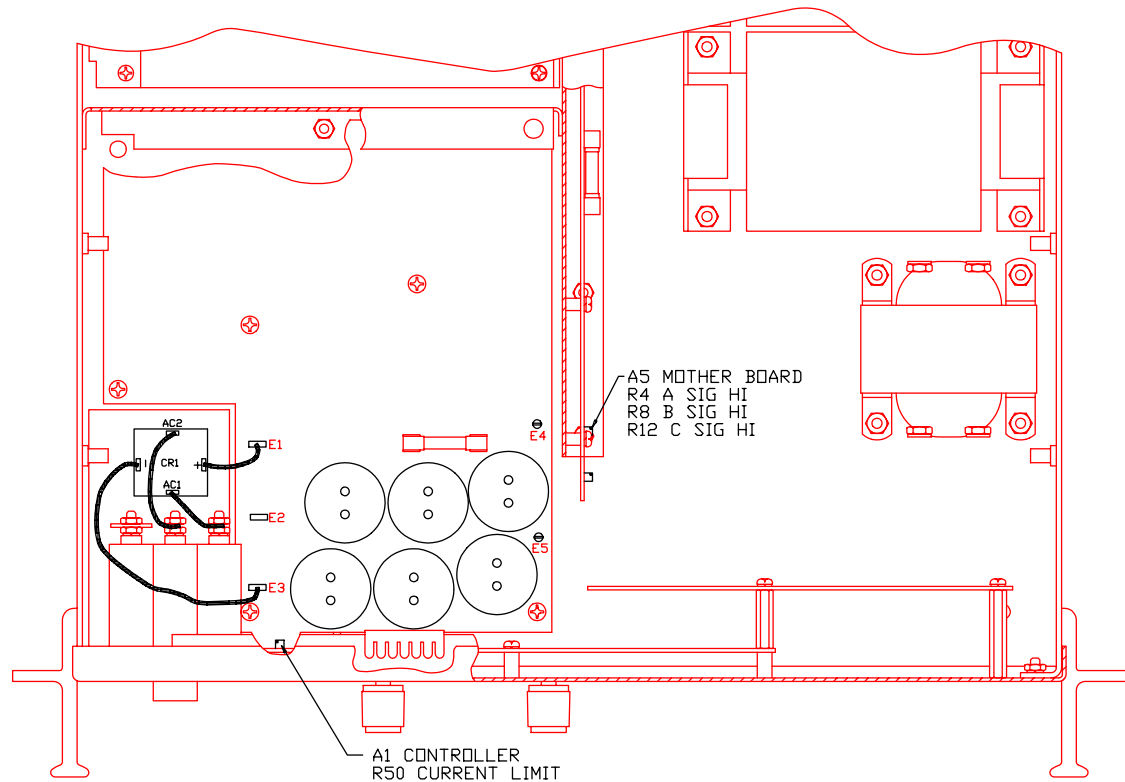
The input voltage range is configured by one wire. See Figure 3-3 or Figure 3-4 for the location of this wire and the A4 board (DC Supply).

3.3.2 High Input Voltage Range Configuration (208/230 V)

In order to change the voltage range configuration:

1. Turn off the input circuit breaker.
2. Disconnect AC input power at TB1.
3. Remove the AC Power Source top cover by removing (17) #6-32 x 5/16" FLH screws. There are a total of 7 screws on the sides and 10 screws on the top that hold the cover.
4. The high input voltage range is set by removing the wire from A4-E2 and connect to CR1-AC2.

Figure 3-4: Internal Jumper Location, Input Line Voltage 208/230



3.4 Mechanical Installation

The power source has been designed for rack mounting in a standard 19 inch rack. The unit should be supported from the sides with optional rack slides. See Accessory Equipment/Rack Slides in Section 1.2. The cooling fan at the rear of the unit must be free of any obstructions which would interfere with the flow of air. A 6.35 cm (2.5 inch) clearance should be maintained between the rear of the unit and the rear panel of the mounting cabinet. Adequate ventilation of the mounting cabinet must be maintained for sufficient cooling of the power source. Use louvered side panels and/or perforated rear panels to ensure adequate airflow. The air intake holes on the sides of the power source must not be obstructed when mounted inside cabinet. See Figure 3-1.

3.5 Input Wiring

The AC Power Source must be operated from a three-wire single-phase service. The mains source must have a current rating greater than or equal to 35 A for the low input range. Use the supplied safety cover/strain relief when connecting the input wires to the power source. Refer to Figure 3-2 and Figure 3-5 for the input power connections.

Also loop the input ground wire through the supplied ferrite filter (Ci P/N 250508) core 5 times (5 turns) for 230V input models (AWG#12) or 3 turns for 115V input models (AWG#10). Enclose ferrite core with the safety cover or leave it outside the safety cover if insufficient space is available.

When connecting the input wires to input terminal block, make sure the safety grounding wire including the 5 turns around the ferrite core from the strain relief grommet is longer than the Line and Neutral wires so that the ground wire will be the last to take any strain. For low-range input operation (107/115V) #10 AWG is recommended for input wires as a minimum. For high-range input operation (208/230V) #12AWG is recommended. For European applications (230V), the following input cordset may also be used:

Panel Components # 86518030, rated 16A, 250V, 70° C, 3x1.5mm² conductor size, VDE approved. Install as described above for discrete wiring.

3.6 Output Connections

All load connections must be made at the terminal block on the rear panel. The remote sense inputs allow the power source output voltages to be monitored directly at the load and must be connected for all three phases. The remote sense wires are connected to adjacent pins for each phase on the rear panel output terminal strip.

Because of the possibility of hazardous voltages on the output terminals, insulation of wiring on the output must be rated for the maximum output voltage of the source, at least 270 volts. There must be no accessible live part connected to the 2003RP output terminals. See Figure 3-5.

The output power cables must be large enough to prevent a voltage difference greater than 7% of the programmed value from the power output pins to the sense input pins. Table 3-1 shows the maximum length of the output wires allowing 1 per cent voltage drop. The table assumes the Remote Sense input is connected at the load. For 2003RP models with lower voltage ranges than 135 V_{RMS}, the wires may have to be made larger. Numbers shown in Table 3-1 are for standard a 2003RP model with 135 V_{RMS} range.

Output Current	Wire Size	Maximum wire length from output to load, 1% drop	
5.0 A _{RMS}	0.75 mm ²	6 m	20 ft
5.0 A _{RMS}	AWG 18	6.4 m	21 ft
5.0 A _{RMS}	1.0 mm ²	8 m	26 ft
5.0 A _{RMS}	AWG 16	8.5 m	28 ft
5.0 A _{RMS}	1.5 mm ²	12 m	39 ft
5.0 A _{RMS}	AWG 14	14 m	45 ft

Table 3-1: Maximum Output Wiring Lengths

The Remote Sense inputs must be connected or an output voltage 7% higher than the programmed output will be generated. If the 2003RP is configured for constant voltage, a fault will be generated.

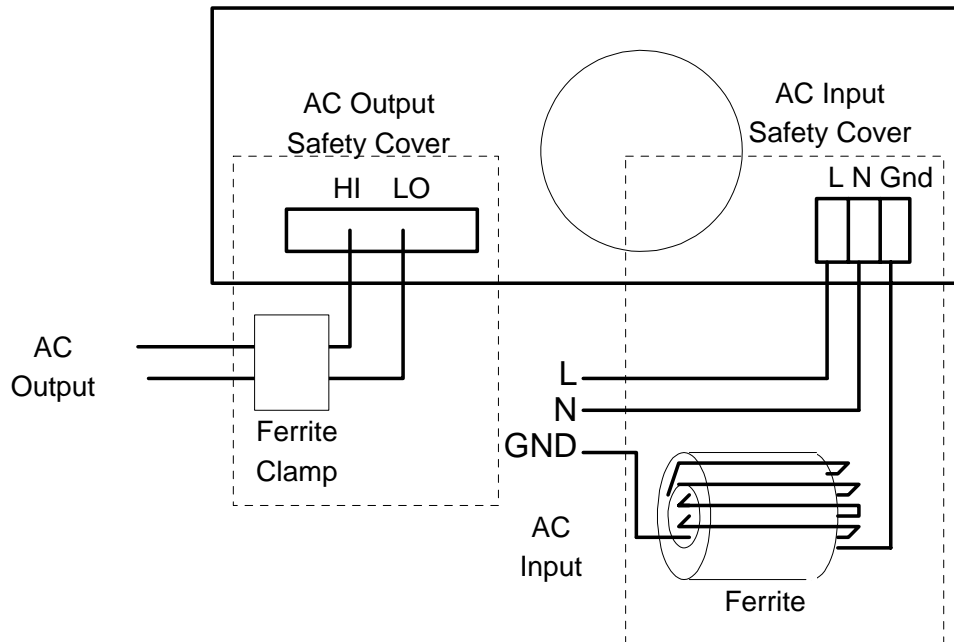


Figure 3-5: Input and Output Wiring

3.7 Output Voltage Ranges

The standard 2003RP AC power source has two output voltage ranges 0-135 V_{AC} and 0-270 V_{AC}. The operator may switch from one range to the other with no special precautions except to remember that the output voltage will go to zero whenever a range change takes place.

Certain options available on the 2003RP series may result in different voltage range values or a single voltage range only. Certain models like the 2003RP-AV may be ordered with a single voltage range only. On single voltage range units, the range change button has no function and the High Range LED indicator is never illuminated. The following 2003RP versions are available:

Model	No of Voltage Ranges	High range	Low Range
2003RP	2	270 V _{RMS}	135 V _{RMS}
2003RP-AV ³	2 1 (Factory set)	230 V _{RMS} n/a	115 V _{RMS} 115 V _{RMS}

2003RP AC power source models with dual voltage ranges offer an auto voltage range change mode. In this mode, the voltage range is automatically changed when the user sets a voltage above 135 or below 130 V_{RMS} (for standard 2003RP; changeover points differ for different voltage range pairs).

The AUTO mode can be selected by pressing the range change button until the AUTO mode LED illuminates. To take the AC power source out of the AUTO voltage range mode, press the Voltage range button briefly. This will put the unit in the present range but takes it out of auto mode.

Note: *Even in AUTO mode, the three outputs temporarily go to zero volts when a voltage range change occurs. If this is not acceptable, the AC source should be operated in the high voltage range only and not in AUTO mode.*

³ 2003RP-AV units can be factory configured for single voltage range. In this case, the high voltage range is not present.

3.8 Functional Test



CAUTION: *Work carefully when performing these tests - hazardous voltages are present on the input and output during the tests.*

Refer to Figure 3-6 for the test setup. For -AV option units, the resistor values need to be adjusted as follows:

Model	Voltage Range	Resistor	Current (A _{RMS})
2003RP	135	27 Ω	5.0
	270	108 Ω	2.5
2003RP-AV	115	20 Ω	5.9
	230 (if configured)	78 Ω	2.9

1. One phase at a time, connect a voltmeter and an oscilloscope or distortion analyzer to the AC source output at the rear panel output terminals. Connect each sense input to the adjacent power pin on the rear panel connector.
2. Connect the AC mains voltage connections to the AC source input terminals. Turn on the power via the front panel circuit breaker.
3. Verify that the front panel LCD displays indicate the initial start up voltage and frequency.
4. Select the low voltage range. Set the frequency to 400 Hz with the right knob. Choose the current function with the Select key. Set the current limit to the maximum value using the right knob. Set the output voltage to 135 V (115 V for the -AV option) with the left knob.
5. Enable the output by pressing the Output key. The green LED above the key will illuminate when the output is on. The output should be a clean 135V (115 V for the -AV option) AC sinewave having less than 2.0% distortion.
6. Apply full load (refer to table above) to the output of the source and verify the output remains within 0.1% of the initial 135 V (115 V for the -AV option). The output should still be clean and the distortion should still be less than 2.0 % at 400 Hz.
7. Using the right knob set the output current limit value to 3 amps. If the unit is configured for Constant Current mode (factory default), the system should go into current limit and reduce the output voltage. If the unit is configured for Constant Voltage mode, an error message will appear on the display (err -300) that indicates an output fault condition and the output will go off. Return the current value to the maximum current and disconnect the load.
8. Repeat steps 4 through 7 but set the output high voltage range and the current limit to maximum value. Refer to the table above for the relevant resistor values. For units that are factory configured with a single voltage range, these steps do not have to be repeated.
9. Repeat steps 1 through 7 for all three output phases.

In the event the power source does not pass the functional test, refer to the calibration procedure in Section 6 or call California Instrument's customer satisfaction department for further assistance.

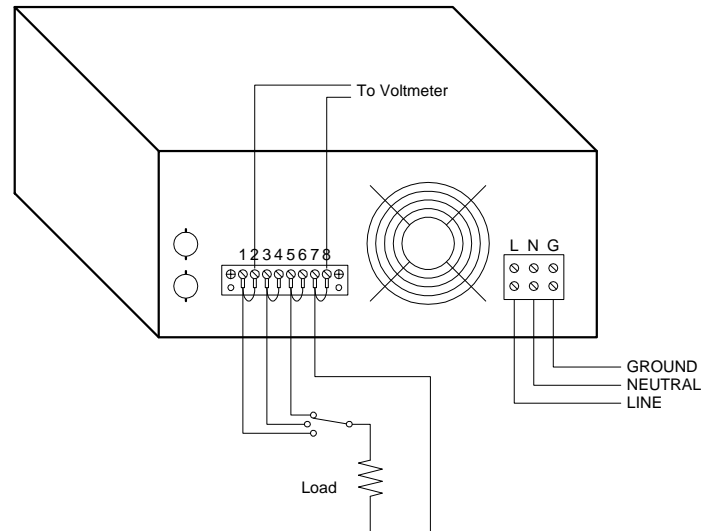


Figure 3-6: Test Setup 2003RP.

3.9 Other Modes of Operation

When the 2003RP is shipped from the factory, it is configured for the Constant Current Mode of operation. This mode means that if the load current exceeds the programmed Current Limit value, the output voltage will drop and the current will continue at the programmed value.

The 2003RP can be configured to operate in the Constant Voltage mode. In this mode of operation, if the load current exceeds the Current Limit value, the output voltage will default with the output relay open. The Constant Voltage mode will only work if the default voltage is set for 5.0 volts. If the default is any other voltage, the power source may indicate a Fault at power up.

To configure the 2003RP, remove the input line voltage connection from the rear panel. Remove the top cover. Install jumpers W1 and W2 on controller assembly, A1, and jumpers W1, W3, W4 and W6 on the Phase B/C assembly, A2. Both assemblies are on the front panel. Reinstall the top cover.

Page intentionally left blank

4 Front Panel Operation

4.1 Functional Controls

The front panel can be divided in a small number of functional areas:

- Status Indicator lights
- Control knobs
- LCD displays
- Control buttons



Figure 4-1: Front Panel View

4.1.1 Status Indicator Lights

Ten LED status indicators are located directly above the LCD display. These LED's correspond to the following conditions:

REMOTE	The REMOTE LED indicates that the unit is in remote control mode. If the RS232C interface is used, the REMOTE state can be enabled by the controller using the SYST:REM command. Any time the REMOTE LED is lit, the front panel of the RP Series unit is disabled. There is no LOCAL button that allows the user to regain control of the front panel. The SYST:LOC command will enable the front panel controls. When using the GPIB, the remote/local state is controlled by the REN (Remote Enable) interface line.
FAULT	The FAULT LED indicates an overtemperature condition. Overtemperature is usually caused by poor air flow. Check the air flow exhaust at the rear of the unit to make sure it is not obstructed. If the power source is configured for constant voltage, the indicator will illuminate for loss of sense lines or an overcurrent condition.
OUTPUT	The OUTPUT LED indicates the status of the output relay. The output relay is controlled by the OUTPUT button located directly below the LED. When the OUTPUT LED is not lit, the output voltage is not present at the output terminal strip regardless of the voltage setting.
RANGE - HIGH	The RANGE HIGH LED indicates the selected output voltage range. When it is illuminated it indicates the high voltage range has been programmed. Any time the user switches voltage ranges, the output is programmed to zero volts. The output relay state is not changed however.
RANGE - AUTO	The RANGE AUTO LED indicates the 2003RP is in auto ranging mode and will switch voltage range automatically if the selected output voltage increments or decrements through the low range voltage limit. (135 V _{RMS} on standard units). During a range change, the output voltage will be programmed to zero momentarily. Some hysteresis is provided. See Figure 4-2.
FREQ	Illuminates when the LCD display shows the programmed frequency. In the calibration mode this indicator is not illuminated for calibrating the output voltage. When it is illuminated in the calibration mode the voltage measurement can be calibrated.
I RMS	Illuminates when the LCD display shows the programmed current limit, measured current values, or current measurement calibration.
I PK	Illuminates when the LCD display shows the measured peak current or peak current calibration. See Note.
PWR	Illuminates when the LCD display shows the measured power or power calibration. See Note.

PF Illuminates when the LCD display shows the measured power factor. It also illuminates in the calibration mode of operation. In calibration mode, the PF LED is always lit in combination with the measurement or output function being calibrated. In normal mode of operation, only one LED in this group is on at a time. See Note.

A, B, C These three LED's indicate the LCD Measurement readout selection for phase A, B or C. The PHASE key may be used to cycle between the three phase readouts.

Note: For peak current, power and power factor measurements, Option -OP1 is required. If this option is not installed, these functions are not available and the SELECT button will only toggle between FREQ and CURR modes.

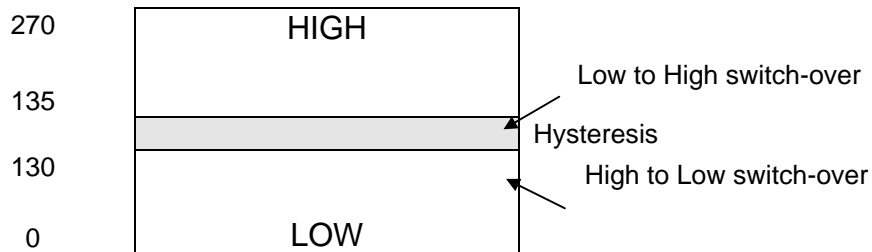


Figure 4-2: Voltage Auto Range Switch Over Points

4.1.2 Control knobs

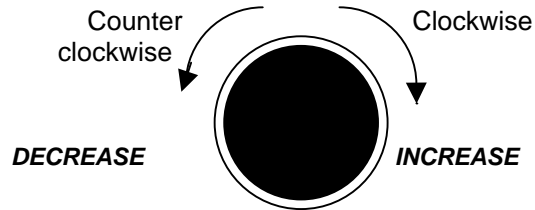


Figure 4-3: Control Knob

There are two control knobs located below the LCD displays which are used to change setup parameters for voltage, frequency and current limit. The SELECT button selects the function of the right knob. The right knob will control either the frequency or the current limit as indicated by the indicator above the right LCD. The left knob always controls the voltage. Setting changes always affect all three output phases simultaneously.

4.1.3 Buttons

There are four function buttons for the Output Voltage Range, Output State, Select Mode, and Phase Select. The following is a description of these buttons:

KEY	DESCRIPTION
RANGE	<p>The RANGE button is used to change the voltage range between the low range (0 to 135 or 115 volts) and high range (0 to 270 or 230 volts). The LED above the switch will light to indicate the high voltage range selection. The output voltage will be reset to zero voltage after a range change. If the 2003RP-AV is configured for a single voltage range, this button is disabled.</p> <p>The same button may be used to put the 2003RP in the AUTO voltage range change mode. This button toggles from Lo, Auto, Hi and back to Lo. The AUTO LED will illuminate when the AUTO range mode is enabled. While in AUTO mode, the 2003RP will switch to the high range whenever a value larger than the low range limit is programmed. Whenever a value below the low range limit is programmed, the unit will switch to the low voltage range. The output is momentarily interrupted when a range change occurs.</p> <p>To take the unit out of AUTO mode, press the RANGE button again.</p>
OUTPUT	<p>The OUTPUT button will toggle the output relays to connect or disconnect the outputs. The LED above the button will light when the output relays are closed. No output voltage will be present when the OUTPUT button is off despite the level of voltage programmed.</p>

- SELECT**
- The SELECT button selects the function of the right control knob and LCD display. The knob will control the output frequency and the display will show the program frequency value when the mode selection is frequency. The knob will program the current limit and the display will show its value in the current mode. The display will revert back to showing the measured current after 3 seconds from the last movement of the control knob.
- The SELECT button also allows selection of the desired measurement function readout. Available selections are:
- Current (Also puts the knob in Current Limit set mode)
 - Peak Current
 - Power
 - Power Factor
- Measurements are updated 4 times per second. The display mode is indicated by the LED's above the LCD display. Note that voltage measurements are available through the Voltage LCD.
- PHASE**
- This button cycles through phase A, B, and C for measurement readout selection on the LCD's.
- (CAL)**
- There is a switch behind this hole in the front panel. When the switch is depressed with the proper tool, the PF indicator will illuminate to indicate the calibration mode has been selected. The table below shows the calibration mode LED indications after the (CAL) button is depressed.

CALIBRATE	INDICATORS ILLUMINATED
Output voltage	PF only
Voltage measurement	PF and FREQ
Current measurement	PF and IRMS
Peak current measurement	PF and IPK
Power measurement	PF and PWR

4.1.4 LCD Displays

Settings and measurements are shown on two 4 digit, 7 segment displays. The voltage display on the left shows the programmed voltage as the user turns the left knob. Approximately 3 seconds after releasing the knob, this display reverts back to displaying the measured output voltage. The right hand LCD display is a multipurpose display. For setup purposes, it displays either Frequency or Current limit settings. After about 3 seconds of inactivity, this display switches to the selected measurement parameter on the selected phase. The SELECT button will define the operating mode or the selected measurement parameter for the right hand display. The PHASE button selects the output phase.

4.2 How to examples...

This section covers some common tasks that are often performed with an AC power source. These examples are written in a "How to..." format and provide step by step instructions on how to set up the AC Source for specific tasks.

4.2.1 Set the Output

Output parameters are Voltage, Frequency and Current Limit.

1. Disable the output by pressing the OUTPUT button. The LED above the button will turn off.
2. Use the left knob to set the output voltage. Clockwise will increase the output, counter clockwise will reduce the output. The display above the knob will show the voltage setting.
3. Use the right knob to set the frequency and current limit. The SELECT button will define the function of the knob and the display above it. The Frequency or Current LED will turn on to indicate the function controlled by the right knob.
4. Enable the output by pressing the OUTPUT button.

4.2.2 Slew Output Values

The output parameters can be slewed using the control knobs.

1. Enable the output by pressing the OUTPUT button. The LED above it will turn on.
2. Use the left knob to set the output voltage. Clockwise will increase the output, counter clockwise will reduce the output. The display above the knob will show the voltage setting.
3. Use the right knob to set the frequency or current limit. The SELECT button will define the function of the knob as indicated by the display above it. The LED's located above the display will indicate the selected function.

4.2.3 Display Measurement Data

Measurements can be called up as follows:

1. For voltage, the left LCD always displays the measured output voltage unless the knob is turned. As the knob is turned, the programmed voltage will be displayed instead. Approximately 3 seconds after releasing the knob, the display reverts back to the measured voltage.
2. All other measurements can be displayed by using the SELECT button to toggle through the available measurements. The LED's above the LCD indicate the active selection. The knob only affects programmed frequency and current limit.
3. Moving the right control knob will interrupt the selected measurement and put the display back in Current Limit adjust mode.
4. Pressing the PHASE button repeatedly will toggle through the measurements for all three output phases.

Note: For peak current, power and power factor measurements, Option -OP1 is required.

4.2.4 Change the Voltage Range

The voltage range can be changed as follows (if the 2003RP-AV is configured for a single voltage range, this does not apply):

1. Press the RANGE button located in the upper left corner. The output voltage will reset to 0 volts.
2. Use the left knob to set the output voltage.

The AUTO voltage range can be selected as follows:

3. Press the RANGE button located in the upper left corner. The AUTO LED will illuminate. The AC source is now in Auto range mode. Turn the left knob to a value above 135 V. The unit will switch to high range and the HIGH LED will illuminate.
4. Turn the left knob to reduce the voltage to a value below 135 V. The AC source will switch to the low voltage range and the HIGH LED will turn off.

To turn off the AUTO voltage range, proceed as follows:

5. Press the RANGE button. This puts the AC source back in normal mode. The voltage range that was in effect does not change. The AUTO LED will turn off.
6. Press the RANGE button again to toggle voltage ranges.

4.2.5 Control the Output

The output can be disabled or enabled using the OUTPUT button as follows:

1. Pressing the OUTPUT button when the output LED is on will open the AC source output relays. The programmed voltage setting will remain at the last program value.
2. Pressing the OUTPUT button again will close the output relay and the output voltage will revert to the last programmed value.

4.2.6 Measure Peak Inrush Current (Requires -OP1 Option)

The peak current measurement function of the 2003RP uses a sample and hold circuit to track the highest peak current found until reset. The peak current sample and hold circuit is reset any time the user toggles away from the peak current display mode to a different measurement.

The peak inrush current for a unit under test can be measured using this function as follows:

1. Program the output to zero volts and open the output relay using the OUTPUT button.
2. Use the PHASE button to select phase A.
3. Use the SELECT button to display the present peak current value.
4. Use the SELECT button again to toggle to any other measurement readout. This will reset the peak current sample and hold circuit to zero amps.
5. Use the left control knob to set the voltage to the nominal supply voltage of the unit under test.
6. Use the OUTPUT button to apply the programmed voltage to the unit under test.
7. Use the SELECT button to display the measured peak current value.

Note: *The 2003RP output is turned on at random phase angle. It may be necessary to repeat this test to find the highest possible peak inrush current demanded by the unit under test. Phase angle control is available over the bus if the -OP1 option package with IEEE-488/RS232C interface is installed.*

4.3 Setting the Power on Initialization Values

The 2003RP is supplied with default factory settings when the unit is powered up. The factory settings are:

Parameter	Factory default setting
Voltage range	Low
Auto Voltage Range	OFF
Voltage	5.0 Volt
Frequency	60 Hz (400 Hz on 2003RP-AV models)
Current limit	5.0 amps (5.9 amps on 2003RP-AV models).
Display mode	Frequency (<i>not part of setup</i>)
Selected Phase	Phase A (<i>not part of setup</i>)
Output Relay state	OFF
Output start state	OFF
Output start phase	0 degrees
Local / Remote State	Local. Front panel unlocked.

Table 4-1: Factory Default Power on Settings

It is possible to change the power-on initialization values in one of two ways:

1. Using the optional RS232 or IEEE-488 interface and the supplied PGUI32 program.
2. Using the front panel.

To change the power on initialization values from the front panel, proceed as follows:

1. Set the unit up in the desired way (range, voltage, frequency, current limit, output relay state, display mode).
2. Press and hold the SELECT key (normally toggles LCD display mode). Make sure the correct indicator LED is illuminated, e.g., FREQ to display voltage and frequency.
3. While still holding the SELECT key, press the OUTPUT key. This will save the present front panel settings in non volatile memory register (NVM) number 7 and assign this register as the power-on register.
4. Release both keys.
5. This procedure can be repeated as often as needed by the user.

Note: *Front panel setups saved in non-volatile memory do not include the Display mode or Phase selection.*

4.4 Current Limit Modes

The 2003RP supports two modes of current limiting. In either mode, the user can set the RMS current level at which the current limit function will operate. The available current limit modes are:

Constant Current (CC) mode	This is the default mode as supplied from the factory. In this mode, the output voltage is automatically reduced by the AC power source to maintain the set current. Once the current drawn drops below the set limit value, the voltage is increased again. No error message is generated in this mode of operation. This mode is suitable for starting loads that require high inrush currents but don't need full nominal voltage to run. (e.g. AC motors).
Constant Voltage (CV) mode	In this mode of operation, the output of the AC source is turned off and the programmed voltage is set to 0 volts as soon as the load current exceeds the set current limit value. (Trip current).

Changing jumpers in the AC power source will change the selected current limit mode. Refer to section 3.9 for instructions on how to change these jumpers.

4.5 Function Strobe [Option]

The Function Strobe (FS) is a TTL logic level signal provided at the rear panel of the 2003RP. This signal is synchronized to any phase A voltage and frequency output change of the AC source and may be used to trigger external test equipment such as oscilloscopes.

Default mode of operation

The function strobe is an active low TTL output signal. Each pulse lasts approximately 400 μsec . The output changes on the falling edge of the function strobe signal.

Alternative mode of operation

The function strobe output logic uses the GPIB interface DC supply to provide the required logic levels. If the GPIB interface is connected to the user's PC, excessive ground noise may prevent the function strobe from operating correctly. If this is the case, the output mode of the function strobe may be changed to provide a floating open collector output. In this case, the end user has to provide an external DC power supply and pull-up resistor. A 9 volt battery may be used for this purpose. Contact California Instruments' service department for details on changing the operation of the FS output.

4.6 Remote Inhibit [Option]

A Remote Inhibit BNC input is located on the rear panel of the 2003RP if the -OP1 option was specified at the time of purchase. This input may be used to disable the AC source output using an external control signal.

Default mode of operation

If the Remote Inhibit (RI) input is left unconnected, the output of the AC source can be turned on using the OUTPUT button on the front panel or the appropriate bus command. To disable the output relay, a logic low level or a contact closure needs to be present across the terminals of the RI BNC connector.

Typical use of the RI input is in rack systems where the RI input is wired to a switch that detects removal of the rear panel. This input may also be used to simultaneously shut down multiple AC power sources.

Note that the RI input has an internal pull-up resistor to TTL logic high. When the RI input cable is disconnected, the output will recover and the output relay will be closed automatically.

This page intentionally left blank

5 Principle of Operation

5.1 General

An explanation of the circuits in the AC Source is given in this section. Refer to the block diagram of the system, Figure 5-1.

5.2 Overall Description

Input power at the rear panel is routed through the EMI filter, A11, and circuit breaker to the high current rectifier, CR1, and the DC Supply assembly, A4. The various DC supply outputs then go to the Mother board, A5, then are directed to other modules.

The Oscillator assembly, A1 and A2, generates the oscillator and control signals, and measures the output voltage, current, etc.

The Amplifier modules, A7, A8, A9, take DC supply voltages and input signals from the Mother board. The high power amplifier outputs are sent via the Mother board and Range/Relay board, to the output transformer primaries, T1, T2, T3.

The Range/Relay board is identified as A6. This board configures the secondaries of the output transformers for the correct output voltage range. The output of the Range/Relay board is directed to the Output assembly, A12.

The Output assembly holds the output relays and output terminal strip, TB2. The output of the AC Power Source is taken from the terminal strip through the rear panel.

5.3 DC Supply

This assembly is identified as A4. It generates the high power +300 VDC supply used by the amplifiers.

The DC supply also has circuits that generate auxiliary DC voltages for the low power circuits of the 2003RP:

1. +26V (output referred) supply for relays and fans.
2. +18V, -18V (output referred) supply for oscillator control circuits
3. +15VSW, -15VSW (input referred) supplies for amplifier control circuits
4. +15VSW1 (input referred) supply for amplifier gate drive
5. +8VISO (SELV) supply for RS232/GPIB board

This page intentionally left blank

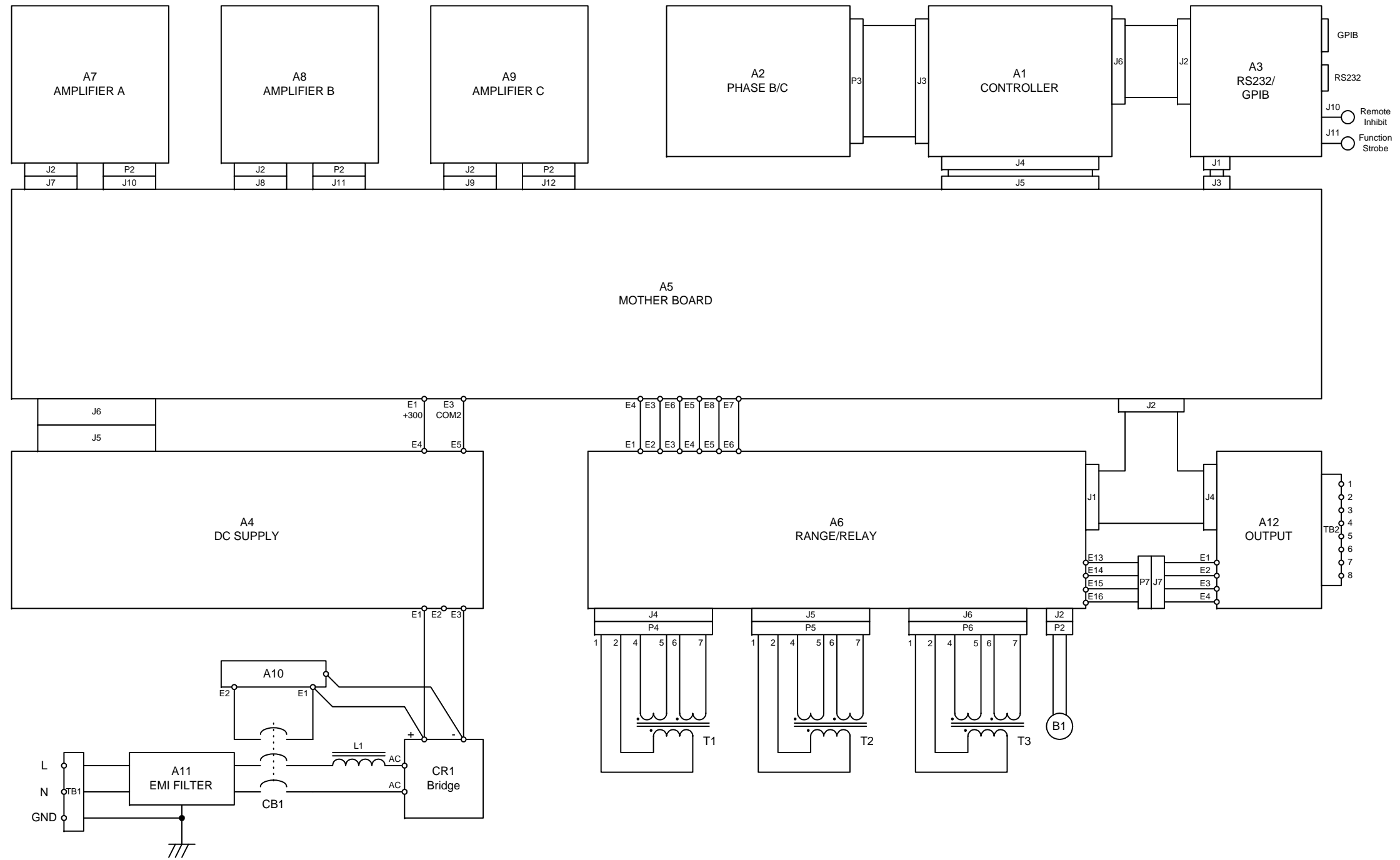


Figure 5-1: AC Power System Block Diagram

This page intentionally left blank

5.4 Mother Board

The Mother board, module assembly A5, routes signals between the various assemblies in the power source.

The Mother board also has circuits that scale the oscillator reference waveforms for the two different voltage ranges.

The oscillator reference waveforms are also adjusted via potentiometers:

1. Phase A, adjust via R4, monitor at TP4
2. Phase B, adjust via R8, monitor at TP5
3. Phase C, adjust via R12, monitor at TP6

5.5 Amplifier Modules

The AC Power Source has three switched mode amplifier modules to obtain high efficiency AC outputs. The switched mode amplifiers operate at 200 kHz. These amplifier modules are designated A7, A8, and A9.

Each Amplifier Module obtains its input signal from the Oscillator Assembly via the Mother Board. A 5.0V RMS input signal will generate 100.0V RMS on the primaries of the output transformers and full-scale output voltage at the outputs of the AC Power Source.

Each Amplifier Module requires a 300 VDC, ± 15 VSW and +15 VSW1 supplies. The +300 VDC supply comes from the DC supply through one 20 amp fuse on the DC Supply and one of three 5 amp fuses on the Mother Board.

Each Amplifier Module has a thermal switch mounted on its heat sink. If the heat sink temperature exceeds 100 degrees C, the amplifier shuts down and sends an OVT signal to the oscillator module. Logic low on any of the OVT control lines will cause the front panel FAULT indicator to be illuminated.

5.6 Oscillator Module

The Oscillator Assembly consists of two boards, the Controller board, A1, and the Phase B/C board, A2. The Phase B/C board connects to the Controller board via a ribbon cable. The controller board connects to the mother board via another ribbon cable.

The Oscillator assembly has the circuits to perform the following operations:

1. Generates the output voltage sinewave for phase A, B and C.
2. Interprets the Voltage, Frequency and Current limit commands from the front panel and RS232/GRIB Board.
3. Attenuates the oscillator drive signals to operate in a constant current mode.
4. Measures the output voltage, current, peak current and power for the selected output phase.
5. Performs voltage dropouts at a designated phase angle or one or more output phases.

5.7 Range/Relay Board

The Range/Relay board, module assembly A6, holds the AC Power Source voltage range change relays. These relays are controlled by the LVR line.

Three current transformers on this assembly monitor the output current, one current transformer per output phase. Each current transformer has two burden resistors for the two different current measurement ranges. The burden resistors are selected via small relays controlled by the AMP 4 control line.

Potentiometers are used to adjust each high current range burden resistor:

1. Phase A, adjust via R6
2. Phase B, adjust via R10
3. Phase C, adjust via R14

5.8 Output Board

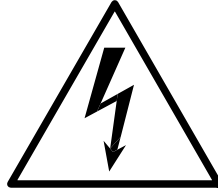
The Output board, module assembly A12, takes the amplifier outputs from the Range/Relay board, routes them through output relays and then to the output terminal strip mounted to the rear panel. The output relays are controlled via the CNF signal.

This board also has remote sense amplifiers to monitor output voltage. The voltage is monitored at the output terminal strip sense points if the output relay is closed (output active). The voltage is monitored internally if the output relay is open.

5.9 IEEE 488/RS232 Interface [Option]

The 2003RP can optionally be fitted with a combined RS232C and IEEE 488 interface board, A3. This board assembly has optocouplers for isolation of the programming interface and the Remote Inhibit and Function Strobe connections.

The GPIB address for the AC source is selected by a DIP switch on the rear panel. Only one interface can be active at any given time and must be selected using DIP switch position 6. (Refer to Figure 8-2).



CAUTION

VOLTAGES UP TO 300 V_{AC} AND 400 V_{DC} ARE PRESENT IN CERTAIN SECTIONS OF THIS POWER SOURCE. THIS EQUIPMENT GENERATES POTENTIALLY LETHAL VOLTAGES.



DEATH

ON CONTACT MAY RESULT IF PERSONNEL FAIL TO OBSERVE SAFETY PRECAUTIONS. DO NOT TOUCH ELECTRONIC CIRCUITS WHEN POWER IS APPLIED.

Page intentionally left blank

6 Calibration

Routine calibration should be performed every 12 months. Non-routine calibration is only required if a related assembly is replaced or if the periodic calibration is unsuccessful. Calibration can be performed through the front panel by putting the 2003RP in Calibration mode (CAL mode) or over the RS232C or IEEE-488 bus if the interface option is installed. For bus calibration, the PGUI32 program may be used. Refer to the PGUI32 help file supplied with the program for instructions on calibration over the remote control bus.

All routine calibrations can be performed without removing the top cover (closed case calibration). For the -AV option, program 115V or 230V for 135V or 270V respectively.

6.1 Calibration Equipment

Digital Multimeter (DMM):	Two (2) HP 34401A
100 milliohm Current Shunt:	Isotek Model RUG-Z-R100-0.1 or equivalent
Load Bank:	Various power load resistors will be needed

Model	Range	Current max.	Load
2003RP	135 V	5.0 A	27 Ω
	270 V	2.5 A	108 Ω
2003RP-AV	115 V	5.9 A	20 Ω
	230 V ⁴	2.9 A	78 Ω

Table 6-1: Load Resistors and Current

⁴ Some 2003RP-AV may be factory configured for single voltage range only. In this case, the 230 V range is not available.

6.2 Selecting Calibration Mode

The 2003RP can be placed in calibration mode (CAL mode) by pressing the recessed CAL button located on the front panel using a pen or similar pointed object. Briefly pressing this button will place the 2003RP in CAL mode, indicated by the illumination of the PF LED. While in CAL mode, the front panel controls are used to adjust the various calibration parameters. Both controls and status indicators take on different functions while the unit is in CAL mode. The SELECT button is used to select the various measurement parameters that can be calibrated in this mode.

Calibration of both output and measurements must be performed for each individual phase, one phase at a time. The PHASE button is used to select the phase to be calibrated.

The following status indications are in effect while in CAL mode:

Status LED	CAL mode * (PF LED illuminated)	Normal operating mode *
FREQ	Indicates voltage measurement calibration is selected. If this LED is not lit while in CAL mode, the Output Voltage calibration mode is selected.	Indicates frequency setting or measurement is displayed on right LCD.
I RMS	Indicates current measurement calibration is selected.	Indicates current limit setting or current measurement is displayed on right LCD.
I PK	Indicates peak current measurement calibration is selected.	Indicates peak current measurement is displayed on right LCD.
PWR	Indicates power measurement calibration is selected.	Indicates power measurement is displayed on right LCD.
PF	Indicates 2003RP unit is in calibration mode.	Indicates power factor measurement is displayed on right LCD.
A, B, C	Indicates the selected phase to be calibrated.	Indicates the selected phase for measurement readout on LCD's.

Table 6-2: CAL Mode Status LED Indicators

* Some measurement functions are optional and may not be available. The calibration mode will only select measurement calibration for measurement functions that are installed.

Note that in normal mode of operation, at no time are more than one of the measurement mode selection LED's lit at the same time. In CAL mode however, the PF LED is always on, in addition to one of the other four measurement selection LED's or no other LED for output voltage calibration.

6.3 Routine Calibration

Setup:

Connect the test equipment to the power source as shown in Figure 6-1. The DMM can be connected to the common output terminal at the rear of the unit. Use the phase output for phase A, B and then C in sequence to calibrate all three phases.

Never connect the load wire to the SENSE terminal at the Rear Panel terminal strip. The load must be connected to the POWER output terminal and a jumper between the POWER and SENSE terminal. Always connect the external DVM to the SENSE terminal.

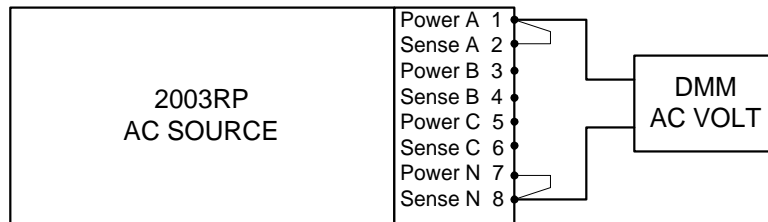


Figure 6-1: Test Equipment Hookup for Routine Output and Voltage Measurement Calibration

6.3.1 Output Voltage Calibration

1. Select the high voltage range. Set the output frequency to 60 Hz (400 Hz on 2003RP-AV). Set the output voltage to 230 volts.
2. Remove any load and enable the output voltage with the OUTPUT button.
3. Put the 2003RP in CAL mode by pressing the recessed CAL button.
4. Use the SELECT key to toggle to the output voltage calibration mode. In this mode, all LED's excepts the PF LED are off.
5. Use the Left control knob to adjust the output voltage displayed on the external reference DMM until it reads as close as possible to 230 V_{AC}.
6. Press the CAL button to leave the calibration mode.

6.3.2 Measurement Calibration - Low Scale

Note: *Measurement calibration can be done at any output frequency setting as only one set of calibration coefficients is used for measurement calibration. However, for best results, calibrate the measurements at the frequency which is used in most applications, e.g. 50 Hz, 60 Hz (except model 2003RP-AV) or 400 Hz. Refer to Table 6-1 for correct load resistors based on model number.*

Low Scale Voltage Measurement Calibration

1. Connect the test equipment to the power source as shown in Figure 6-2. **Do not** connect any load during this step. Voltage calibration must be done under no load conditions.
2. Select the Low Voltage Range and program the output voltage to 10 VAC.
3. Put the 2003RP in CAL mode by pressing the recessed CAL button.
4. Use the SELECT key to select the Voltage Measurement calibration mode. This mode is indicated by the FREQ LED.
5. Use the left control knob to adjust the voltage reading shown on the right hand LCD until it reads as close as possible to the reference reading as displayed on the external DMM2.

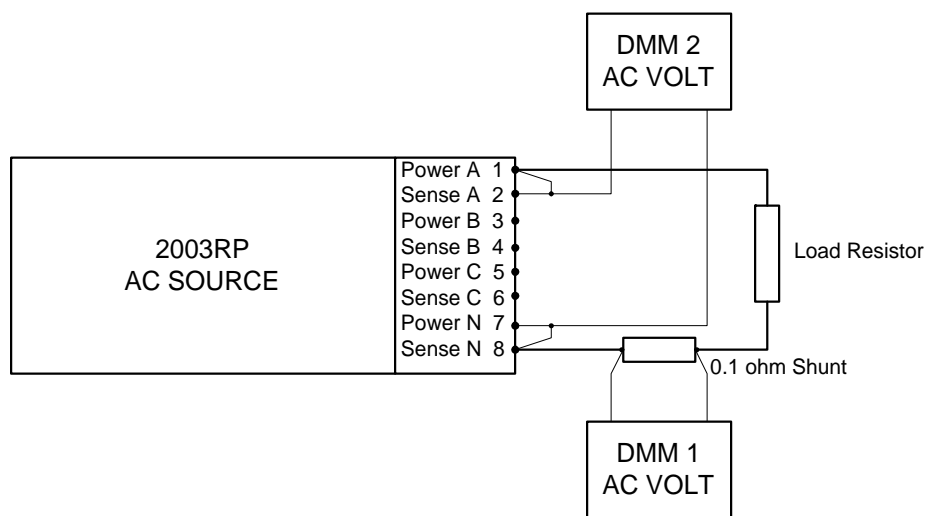


Figure 6-2: Test Equipment Hook-up for Current and Power Measurement Calibration

Low Scale Current Measurement Calibration

1. Connect the test equipment to the power source as shown in Figure 6-2.
2. Apply the 27 Ω resistive load to the output terminals. Make sure external DMM1 used for current measurement is across the shunt.
3. The output voltage must be programmed to 10.0 volts.
4. Use the SELECT key to select the Current Measurement calibration mode. This mode is indicated by the I RMS LED.
5. Use the left control knob to adjust the current reading shown on the right hand LCD until it reads as close as possible to the reference reading indicated by the DMM measuring

the current shunt voltage (DMM 1). Note that 0.1 V reading represents 1 Amp if the recommended 100 m Ω shunt is used.

Low Scale Peak Current Measurement Calibration

1. Connect the test equipment to the power source as shown in Figure 6-2.
2. Program the output voltage to 10.0 volts.
3. Use the SELECT key to select the Peak Current Measurement calibration mode. This mode is indicated by the I PK LED.
4. Use the left control knob to adjust the peak current reading shown on the right hand LCD until it reads as close as possible to the reference reading shown on the external DMM (DMM 1) times 1.414. This value is the peak current of a sinewave current.

Low Scale Power Measurement Calibration

1. Connect the test equipment to the power source as shown in Figure 6-2.
2. Program the output voltage to 10.0 volts.
3. Use the SELECT key to select the Power Measurement calibration mode. This mode is indicated by the PWR LED.
4. Calculate the power by multiplying the external reference current reading (DMM 1) in amps with the external reference voltage reading (DMM 2).
5. Use the left control knob to adjust the power measurement reading shown on the right hand LCD until it reads as close as possible to the calculated power reading.

Note: *The method of adjusting the low scale values for voltage, current and power insure that the measured value is correct for small values. Under a no-load condition, however, the measured value may not be 0*

6.3.3 Measurement Calibration - Full Scale

Note: *Measurement calibration can be done at any output frequency setting as only one set of calibration coefficients is used for measurement calibration. However, for best results, calibrate the measurements at the frequency which is used in most applications, e.g. 50 Hz, 60 Hz (except model 2003RP-AV) or 400 Hz. Refer to Table 6-1 for correct load resistors based on model number.*

Full Scale Voltage Measurement Calibration

1. Connect the test equipment to the power source as shown in Figure 6-1. **Do not** connect any load during this step. Voltage calibration must be done under no load conditions.
2. Select the High Voltage Range and program the output voltage to 230.0 VAC.
3. Put the 2003RP in CAL mode by pressing the recessed CAL button.
4. Use the SELECT key to select the Voltage Measurement calibration mode. This mode is indicated by the FREQ LED.
5. Use the left control knob to adjust the voltage reading shown on the right hand LCD until it reads as close as possible to the reference reading as displayed on the external DMM.

Full Scale Current Measurement Calibration

1. Connect the test equipment to the power source as shown in Figure 6-2.
2. Apply the 27 Ω resistive load to the output terminals. Set the power source to low voltage range.
3. Program the output voltage to a value that produces between 3 and 3.9 amps. Do not load the output to more than 3.9 amps.
4. Use the SELECT key to select the Current Measurement calibration mode. This mode is indicated by the I RMS LED.
5. Use the left control knob to adjust the current reading shown on the right hand LCD until it reads as close as possible to the reference reading indicated by DMM1 (measuring the current shunt voltage). Note that .39 V reading represents 3.9 Amps if the recommended 100 m Ω shunt is used.

Full Scale Peak Current Measurement Calibration

1. Connect the test equipment to the power source as shown in Figure 6-2.
2. Apply the 27 Ω resistive load to the output terminals. Set the power source to low voltage range.
3. Program the output voltage to a value that produces between 3 and 3.9 amps. Do not load the output to more than 3.9 amps.
4. Use the SELECT key to select the Peak Current Measurement calibration mode. This mode is indicated by the I PK LED.
5. Use the left control knob to adjust the peak current reading shown on the right hand LCD until it reads as close as possible to the reference reading derived from the external DMM (DMM 1). Remember the peak current value is equal to 1.414 times the value shown on the external DMM.

Full Scale Power Measurement Calibration

1. Connect the test equipment to the power source as shown in Figure 6-2.
2. Apply the 27 Ω resistive load to the output terminals. Set the power source to low voltage range.
3. Program the output voltage to a value that produces between 3 and 3.9 amps. Do not load the output to more than 3.9 amps.
4. Use the SELECT key to select the Power Measurement calibration mode. This mode is indicated by the PWR LED.
5. Calculate the power by multiplying the external reference current reading (DMM1) with the external reference voltage reading (DMM2).
6. Use the left control knob to adjust the power measurement reading shown on the right hand LCD until it reads as close as possible to the calculated power reading.

6.4 Non-Routine Calibration

The following calibrations are not required on a routine basis:

High Current Measurement Range (Section 6.4.1). After the low current measurement range, 0 to 4 amps, is calibrated, the high range should be within its specification range. If it is not, this adjustment must be performed.

Current Limit Adjustment (Section 6.4.2). This calibration is only required if the output current, while operating in the constant current mode, is not equal to or more than the programmed value.

Open Sense Adjustment (Section 6.4.3). This adjustment must be made if the output voltage can't be calibrated while operating in the constant current mode. If the output faults, with no-load, while operating in the Constant Voltage mode, this adjustment must also be made.

All of the non-routine calibration adjustments must be made with the top cover removed. Refer to Figure 6-3 for the location of the internal adjustments.

6.4.1 High Current Measurement Range Adjustment

Note: *If the Current Limit and High Current Measurement Range Adjustments are both adjusted, the High Current Measurement Range must be adjusted first.*

1. Connect the test equipment as shown in Figure 6-2. Use full load resistance for the low voltage range.
2. Program the output voltage to 135 V (115 V for –AV option) on the low voltage range and 400 Hz.
3. Use the SELECT key to select the Current Measurement display. Note that this is not the Current Measurement calibration mode. Only the I RMS LED should be illuminated.
4. Observe the actual output current as shown on external DMM1 and current shunt. Adjust R6 (Phase A) or R10 (Phase B) or R14 (Phase C) on the Range/Relay board for a measurement display equal to the actual output current.

CAUTION: *The amplifier wind tunnel must be covered for proper cooling if the adjustment takes more than 1 minute.*

6.4.2 Current Limit Adjustment

Note: *If the Current Limit and High Current Measurement Range Adjustments are both adjusted, the High Current Measurement Range must be adjusted first.*

1. Connect the test equipment as shown in Figure 6-2. Use full load resistance for the low voltage range.
2. Program the current to 4.5 amps. Program the output to 135 V (115 V for the –AV option) on the low voltage range and 400 Hz.
3. For Phase A, adjust R50 on the Controller board for an output current of 4.75 amps. For Phase B, adjust R49 on the Phase B/C board for an output of 4.75 amps. For Phase C, adjust R8 on the Phase B/C board for an output of 4.75 amps.

CAUTION: *The amplifier wind tunnel must be covered for proper cooling if the adjustment takes more than 1 minute.*

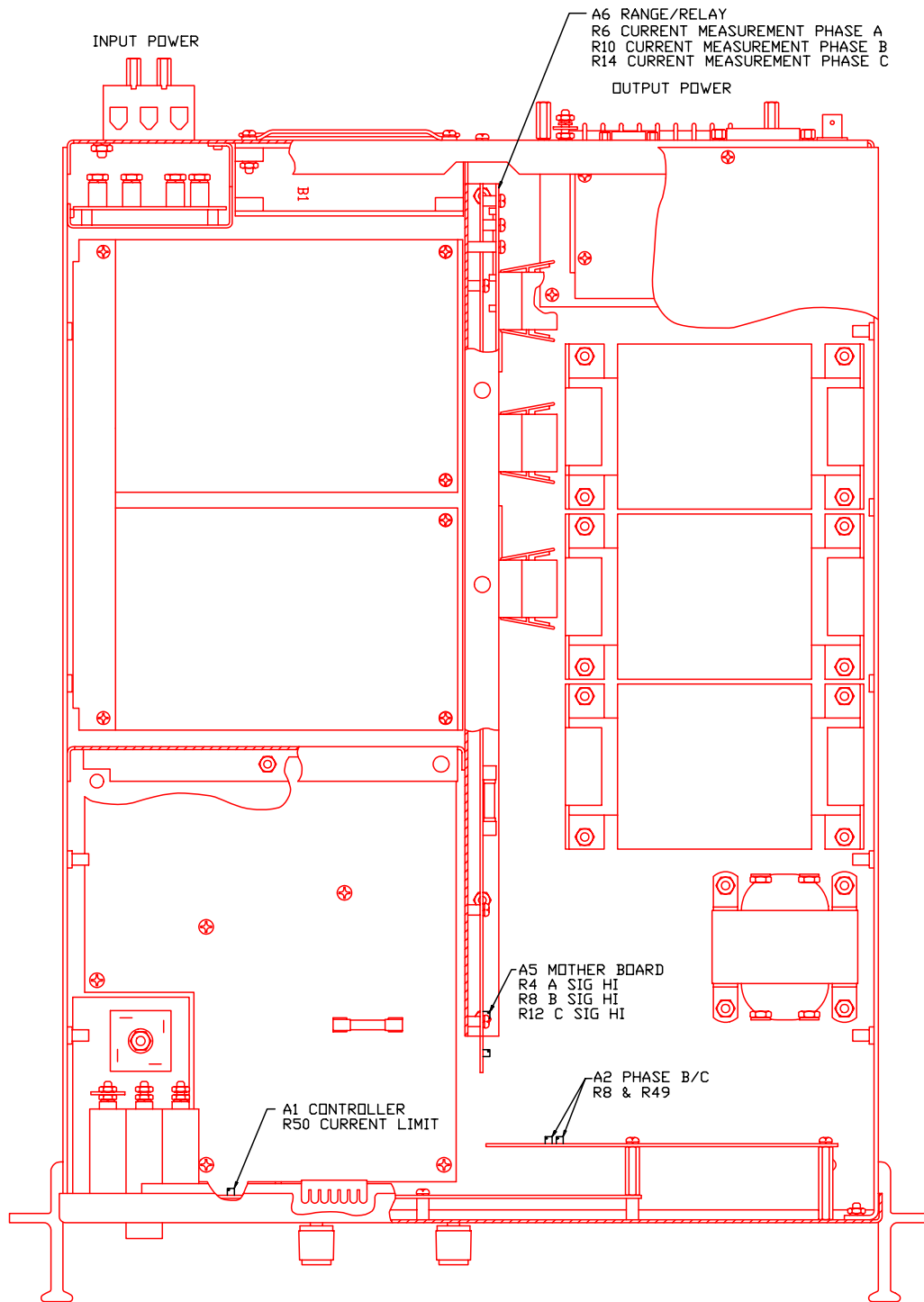


Figure 6-3: Internal Adjustments

6.4.3 Open Sense Adjustment

Connect the test equipment as shown in Figure 6-1.

NOTE: *The 2003RP must be configured for the Constant Current Mode of operation for this procedure. For this mode jumpers W1 and W2 on the Controller board and W1, W3, W4, and W6 on the Phase B/C board must be removed.*

Disconnect the remote sense wires on the rear panel terminal strip. Connect the external AC DMM between the appropriate two output POWER terminals on the rear panel.

Program the output to 100.0 volts and adjust indicated potentiometer on the Mother board for an output voltage of 115 volts:

for Phase A, adjust R4,
for Phase B, adjust R8,
for Phase C, adjust R12.

Turn off the front panel circuit breaker and reinstall the top cover. Also reconnect the external SENSE terminals at the rear panel. Replace any jumpers if removed per the note above.

7 Service

7.1 General

This section describes suggested maintenance and troubleshooting procedures. The troubleshooting procedure is divided into two sections. The first section deals with basic operation and connection of the equipment. The second section requires opening the unit and using the LED indicators and a simple multimeter to troubleshoot the unit down to the module level. Only a qualified electronic technician should attempt this level of troubleshooting.

7.2 Cleaning

The exterior of the power source may be cleaned with a cloth dampened with a mild detergent and wrung out. Disconnect mains power to the source before cleaning. Do not spray water or other cleaning agents directly on the power source.

7.3 Basic Operation

Table 7-1: Basic Symptoms

PARAGRAPH	PROBLEM
7.3.1	Poor Output Voltage Accuracy
7.3.2	Poor Output Voltage Regulation
7.3.3	Distorted Output
7.3.4	Unit Shuts Down After 3-5 Seconds
7.3.5	No Output and no lights on front panel
7.3.6	No output but "Display" on front panel is on
7.3.7	Fault Lamp on
7.3.8	Can't program AC Power System on GPIB/RS232

7.3.1 Poor Output Voltage Accuracy

If the power source exhibits poor programmed voltage accuracy, the following item may be at fault:

Table 7-2: Poor Output Voltage Accuracy

CAUSE	SOLUTION
The calibration is incorrect.	Calibrate the output.

7.3.2 Poor Output Voltage Regulation

If the AC Power Source exhibits poor voltage regulation the following item may be at fault:

Table 7-3: Poor Output Voltage Regulation

CAUSE	SOLUTION
The Remote Sense lines are not connected at the same point monitored by the external voltmeter used for load regulation check.	Connect AC voltmeter to Remote Sense lines on the Rear Panel Power Output terminal strip.

7.3.3 Distorted Output

Table 7-4: Distorted Output

CAUSE	SOLUTION
Power source is grossly overloaded.	Reduce load.
Input mains voltage is too low.	Verify at input terminal block that input voltage is within specified limits.
The crest factor of the load exceeds 3:1.	Reduce load current peaks by reducing load.

7.3.4 Unit Shuts Down After 3-5 Seconds

Table 7-5: Unit Shuts Down After 3-5 Seconds

CAUSE	SOLUTION
Output shorted.	Remove output short.
Output grossly overloaded.	Remove overload.
Operating load with too high inrush or start up currents.	Consult factory for application advice.

7.3.5 No Output and No Lights on Front Panel

Table 7-6: No Output and No Lights on Front Panel

CAUSE	SOLUTION
Front panel power switched off.	Switch the breaker on.
No input power to the input connector.	Ensure correct input power.

7.3.6 No Output but “Display” on Front Panel is On

Table 7-7: No Output But “Display” Is On

CAUSE	SOLUTION
“OUTPUT” switch is turned off.	Press OUTPUT switch to so that LED is on.
Current limit programmed down or to zero.	Program current limit higher.
Voltage programmed down or to zero.	Turn amplitude control up.

7.3.7 Fault Lamp On

If the power source Fault lamp is on, the following may be at fault:

CAUSE	SOLUTION
Ambient temperature is too high.	Operate power source between 0 and 40°C.
Fan or ventilation holes are blocked.	Remove obstructions.
Fan not working.	Replace fan. Consult factory.

If the 2003RP is configured to operate in the Constant Voltage mode, the Fault lamp comes on when the output load current has exceeded the programmed current limit value. If the AC Power Source Fault lamp is on, the following items may be at fault:

CAUSE	SOLUTION
The output is overloaded.	Remove the overload.
The programmable current limit level is set too low for the load being driven.	Compute and reprogram the correct programmable current limit level.
The programmable current limit is incorrectly calibrated.	Perform the calibration in Section 6.4.2
The Remote Sense lines are not connected.	On the Rear Panel Power Output terminal block, connect terminal 1 to 2, 3 to 4, 5 to 6, and 7 to 8.

7.3.8 Can't Program AC Power System on GPIB or RS232

If the power source does not respond to GPIB or RS232 programming, the following items may be at fault:

CAUSE	SOLUTION
The power source unit address is incorrect.	Set correct address. See section 8.3.
GPIB or RS232 cable is loose at power source rear panel.	Check connection, tighten jack screws.
The GPIB/RS232 selector switch is in the wrong position.	Set DIP switch to desired function. Refer to Section 5.9
RS232/GPIB Assembly has failed.	Replace the RS232/GPIB Assembly.

7.4 Module Removal

Figure 7-1 shows the location of the internal modules and assemblies.

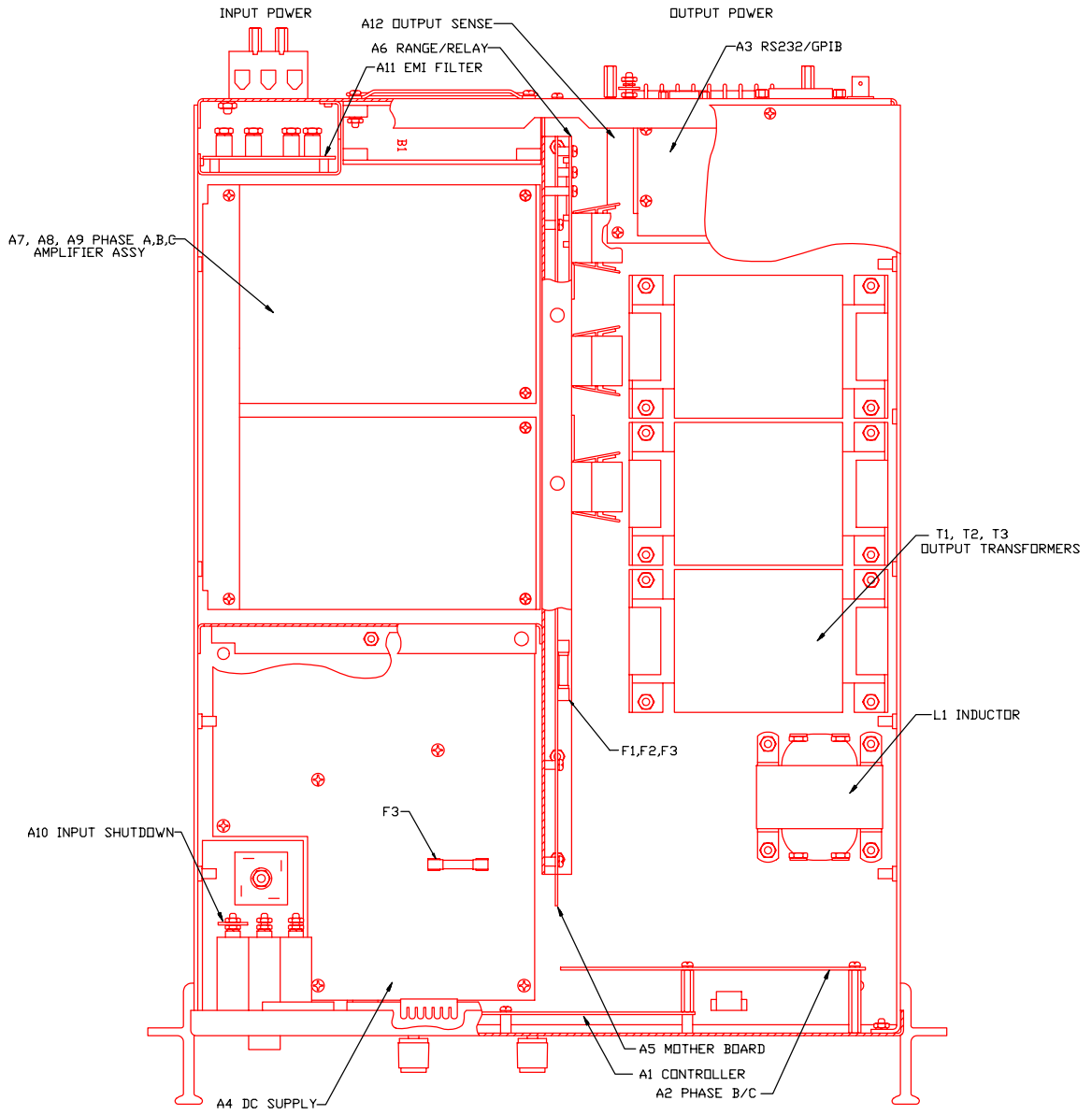


Figure 7-1: Assembly Location

7.4.1 Oscillator Module Removal/Replacement

If a fault is found that requires the replacement of the Oscillator Module (assemblies A2 and A3) follow the following steps and refer to Figure 7-1 for the module locations:

1. Turn off the front panel circuit breaker. Remove the input power from the rear panel terminal block.
2. Remove the top cover.
3. Remove the front panel knobs and nuts. The knobs are held in place with 1/16 inch Allen screws. The nuts are removed with a 1/2 inch wrench.
4. Remove 4 screws that hold the Phase B/C board and the 5 screws that hold the controller board to the front panel. The oscillator assembly can now be removed.

7.4.2 Amplifier Removal/Replacement

If a fault has been found that indicates the failure of an amplifier module (assemblies A7, A8, A9), check the condition of the fuses in series with the +300VDC power supply before replacing the amplifier. The associated fuses are F3 on the DC Supply board, A4, and F1 (Phase A), F2 (Phase B), and F3 (Phase C) on the Mother board, A5. Refer to Figure 7-1 for the location of these fuses.

There are three stacked amplifier modules: Phase A on top, Phase B in the middle, Phase C on the bottom.

If it is determined that an amplifier module must be replaced, perform the following procedure:

1. Turn off the input circuit breaker.
2. Disconnect AC input power at the rear panel.
3. Remove the AC Power Source top cover by removing (17) #6-32 x 5/16" flathead screws.
4. Remove an amplifier by lifting its outside edge slightly and withdraw it from the connectors.
5. Amplifiers may be replaced by following this procedure in reverse order.



WARNING: *Do not touch any parts inside the unit during this test, as they will be live and dangerous. Always wear safety glasses.*

7.5 Replaceable Parts

In order to ensure prompt, accurate service, please provide the following information, when applicable, for each replacement part ordered.

- a. Model number and serial number of the instrument.
- b. California Instruments' part number for the sub-assembly where the component is located. (C.I. PART #)
- c. Component reference designator. (SEQ #)
- d. Component description.
- e. Component manufacturers' FSCM number. (VENDOR)

All replaceable part orders should be addressed to:

California Instruments Corporation.

Attention: Customer Service
 9689 Towne Centre Drive
 San Diego, California 92121-1964
 United States of America

Orders may be placed by fax using the fax following fax number:

+1 858 677 0940

SEQ#	C.I.PART #	DESCRIPTION	VENDOR	QTY
A1	4005-714-2	PC Assy, Controller	16067	1
A2	4005-720-1	PC Assy, Phase B/C	16067	1
A3	4005-702-2	PC Assy, RS232/GPIB	16067	1
A4	4005-722-1	PC Assy, DC Supply	16067	1
A5	4005-719-1	PC Assy, Mother Board	16067	1
A6	4005-721-1	PC Assy, Range/Relay	16067	1
A7,8,9	4008-410-3	Amplifier Assy, Phase ABC	16067	1
A10	4005-718-1	PC Assy, Input Shutdown	16067	1
A11	4005-724-1	PC Assy, EMI Filter	16067	1
A12	4005-723-1	PC Assy, Output/Sense	16067	1
B1	241182	Fan, 4", 24VDC	77062	1

Table 7-8: Replaceable Parts

SEQ#	C.I.PART #	DESCRIPTION	VENDOR	QTY
DC SUPPLY, A4				
F3	270176	20A, 250V, quick acting (Bussmann ABC20)	71400	1
F4	270174	1A, 250V, very quick acting (Bussmann, PCC1)	71400	1
MOTHER BOARD, A5				
F1	270209	5A, 250V, quick acting (Littelfuse, 312005)	75915	1
F2	270209	5A, 250V, quick acting (Littelfuse, 312005)	75915	1
F3	270209	5A, 250V, quick acting (Littelfuse, 312005)	75915	1

Table 7-9: Fuses

8 Remote Control

8.1 Introduction

The 2003RP can be furnished with a combination IEEE-488 and RS232C control interface at the time of purchase. This interface is part of the -OP1 option package. The interface option also includes the California Instruments Graphical User Interface program - PGUI32. This Windows™ program provides a soft front panel to the instrument when connected to a PC through the RS232C or IEEE-488 interface. Additional benefits are obtained from using the PC as a control interface. Some of these benefits include the ability to store measurement data to disk, interact with other programs, and produce output transients to simulate commonly occurring AC line conditions.

The PGUI32 is a Windows™ program and as such requires a PC capable of running Windows 95™, Windows 98™, or Windows NT™. For best performance, a Pentium-based PC is recommended. Intel™ 80486 based PC's will exhibit poor performance while generating transients due to their lack of processing speed.

Complete information on how to use the PGUI32 can be found in the on-line help supplied with the program. Use the Help menu or press on any of the many Help keys located in all program windows for an explanation of the relevant screen or function.

As always, California Instruments appreciates your patronage and would welcome any comments and suggestions you might have regarding this software or any of its other products. Use the End-user feedback form located on page **Error! Bookmark not defined..** The same form can be used to report software bugs should you encounter any.

8.2 PGUI32 Program Requirements

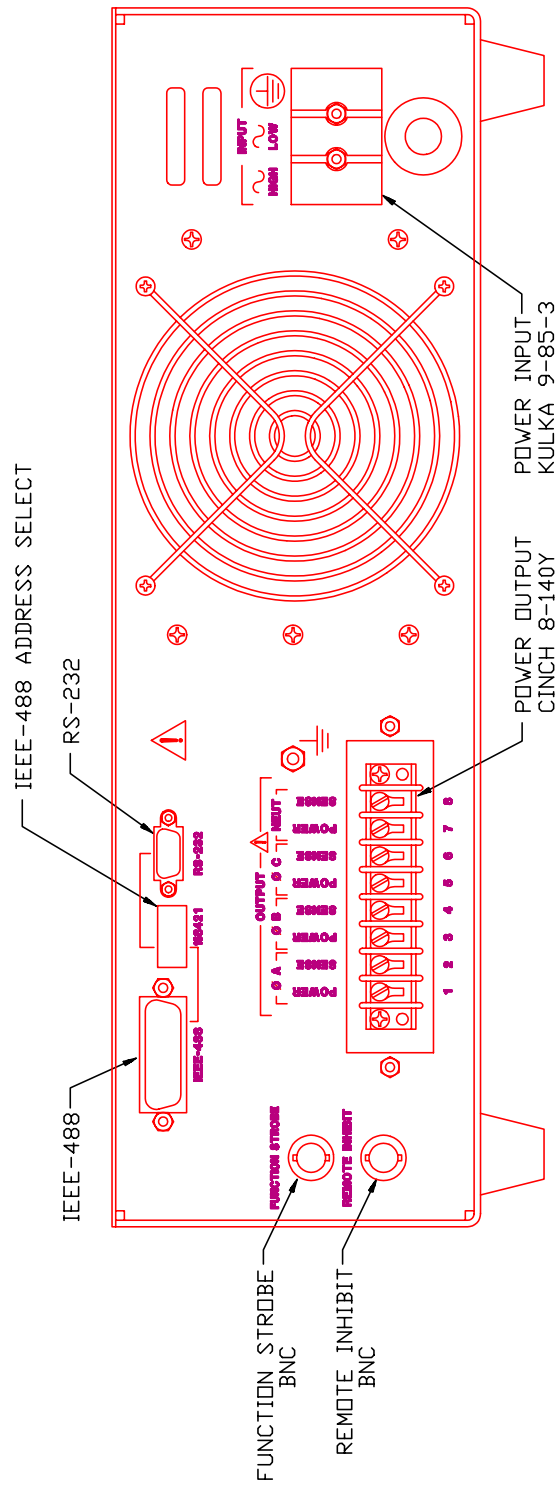
To successfully install and operate the PGUI32 program, you will need the following equipment:

California Instruments AC power source. Supported models are :

- | | |
|----------------------------------|---------------------|
| • 1001P | Single phase output |
| • 1251P | Single phase output |
| • 801RP | Single phase output |
| • 1251RP | Single phase output |
| • 2001RP / 2001RP-AV / 2001RP-LZ | Single phase output |
| • 2003RP / 2003RP-AV | Three phase output |

PC capable of running Windows 95™, Windows 98™ or Windows NT™

- RS232C communications port
 - RS232C serial cable (supplied with the -OP1 option package). See next section for RS232C cable wiring
- or
- National Instruments IEEE-488 Controller Card



NOTE: FOR PROPER OPERATION EACH SENSE TERMINAL MUST BE CONNECTED TO ASSOCIATED POWER TERMINAL.

Figure 8-1: Rear Panel View

Note: *The PGUI32 can be run in the absence of a power source. If no AC source is available, the PGUI32 can be operated in a simulation mode. The program will detect these conditions and start up in simulation mode after notifying the operator. Measurements in this case will be simulated and should not be used for any analytical purpose.*

8.3 IEEE Interface

The 2003RP can optionally be equipped with both RS232C and IEEE-488 interfaces. The desired interface is selected by moving the DIP switch position 5 to the correct mode. Only one interface can be active at a time. Refer to

Figure 8-1 for the location of this switch.

The IEEE address of the 2003RP is set using the DIP switch at the rear of the unit. Switch position 4 through 0 corresponds to bits 4 through 0 of the IEEE address. See figure below.

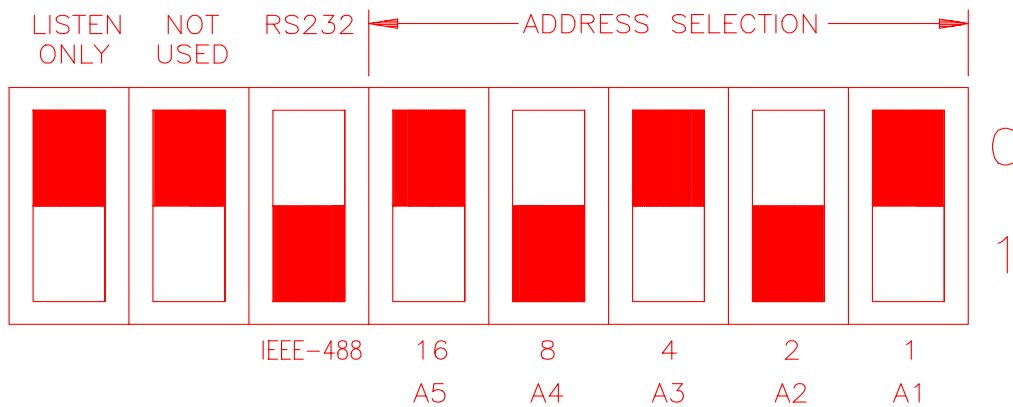


Figure 8-2: GPIB Address Selection Switch

- The black section represents the switches.
- The above configuration would cause the 2003RP to be in GPIB mode at address 10.
- Listen only must be in the up position to work properly.

Note: *Switch setting changes do not take effect until power is cycled.*

8.4 RS232C Interface

A suitable cable to connect the 2003RP AC Source to a 9 pin PC-AT style serial port is supplied with the source. If you are unable to locate this cable, you need to use a cable that conforms to the wiring diagram shown in Figure 8-3.

Note: *This cable is not bi-directional, so it is important to mark the PC side and the AC source side of this cable. If the cable is connected in reverse, it will not operate correctly.*

The RP Series expects a LF (Hex 10) terminator at the end of each string sent over the RS232C interface. If the programming environment you use to develop test programs does not append a LF terminator to each output string, the RP Series will not respond. This is true of programs like LabView™ using VISA drivers.

8.4.1 Serial Communication Test Program

The following sample program written in Quick-BASIC can be used to check communication to the RP Series AC source over the RS232C serial interface. The interface is optional and must be installed for this to work.

```
'California Instruments 2001P RS232C Communication Demo Program
'(c) 1998 Copyright California Instruments, All Rights Reserved
'
'This program is for demonstration purposes only and is not to be
'used for any commercial application
'=====
'Function and Subroutine Declarations
DECLARE FUNCTION retstring$ ()

'=====
'MAIN PROGRAM CODE
'=====

'OPEN COM2. Replace with COM1, COM3 or COM4 for Com port used
'The input and output buffers are set to 2K each although
'this is not required for most operations.

OPEN "COM2:19200,n,8,1,BIN,LF,TB2048,RB2048" FOR RANDOM AS #1 LEN = 1
CLS
PRINT "**** 2001P INTERACTIVE MODE ****"
'Enter and endless loop to accept user entered commands
DO
  INPUT "Enter Command ('quit' to exit)--> ", cmd$
  IF cmd$ <> "QUIT" AND cmd$ <> "quit" THEN
    IF cmd$ <> "" THEN
      PRINT #1, cmd$ + CHR$(10);
    END IF
    IF INSTR(cmd$, "?") THEN
      PRINT "AC Source query response = "; retstring$
    END IF
    'Check for Errors after each command is issued
    PRINT "Sending non-query syntax check *ESR?"
    'On fast PC's we may have to hold off between commands
    FOR t = 0 TO 1000: NEXT t
    PRINT #1, "*ESR?" + CHR$(10);
    esr% = 0 'Clear last error
    'Mask off bits 5,4,3,2 only. Other bits are not used.
    esr% = VAL(retstring$) AND 60
    'Process esr% value for error bits
    IF esr% AND 4 THEN
      PRINT "**** Query Error Reported by AC Source ****"
    END IF
  END IF
END DO
```

```

END IF
IF esr% AND 8 THEN
  PRINT "**** Instrument Dependent Error Reported by AC Source ****"
END IF
IF esr% AND 16 THEN
  PRINT "**** Command Execution Error Reported by AC Source ****"
END IF
IF esr% AND 32 THEN
  PRINT "**** Command Syntax Error Reported by AC Source ****"
END IF
'Clear ERR. -XXX Message from front panel if any error occurred
IF esr% <> 0 THEN
  PRINT #1, "*CLS" + CHR$(10);
END IF
END IF
LOOP UNTIL cmd$ = "QUIT" OR cmd$ = "quit"
'Close COM port on exit
CLOSE #1
END
'=====

FUNCTION retstring$
'This function returns a response string from the P/RP Series
'AC power source. The QBasic statement LINE INPUT cannot be used
'as the P/RP Series does not return a CR <13> after a response
'message. The LINE INPUT function waits for a CR before
'returning a string. The P Series returns a LF <10> instead
'so we need to poll each returned character for a LF to
'assemble the response string. The COM port needs to be
'opened AS random with a record length of 1 for it to support
'this function. Also, the device number is assumed to be #1
'Optionally, this value could be passed as a parameter to
'make this program more generic.

DIM char AS STRING * 1
DIM resp AS STRING
char = ""
resp = ""
DO
  char = INPUT$(1, #1)
  resp = resp + char
LOOP UNTIL char = CHR$(10)
'Return result
retstring = LEFT$(resp, LEN(resp) - 1)
END FUNCTION

```

8.4.2 Serial Cable Diagram

California Instruments AC power sources require a special RS232C cable to communicate with a PC. Standard null-modem cables obtained from a computer hardware store most likely will not work. For this reason, all California Instruments power sources that operate over RS232C are supplied with a RS232C 9 pin female to 9 pin female cable.

If for some reason this cable cannot be located, the cable diagram shown in Figure 8-3 should be used when constructing a serial cable.

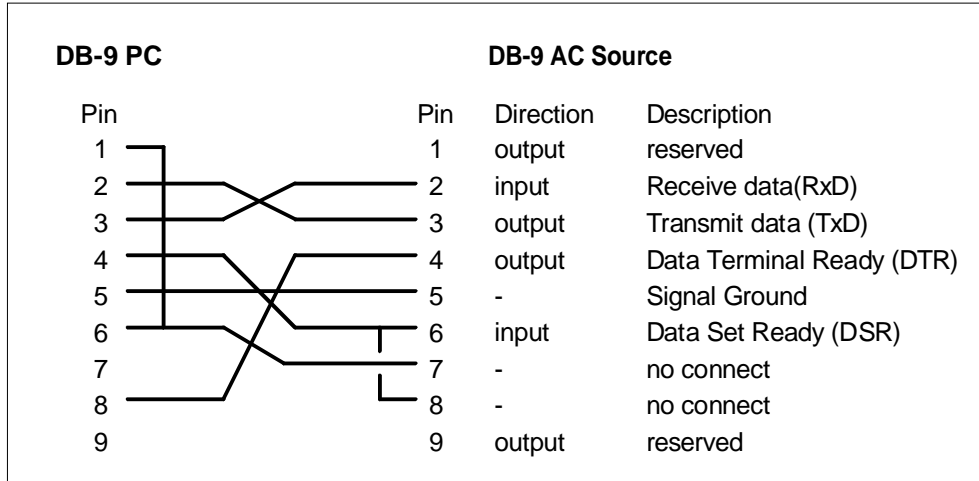


Figure 8-3: RS232C Interface Cable Wiring Diagram

8.5 PGUI32 Setup and Installation

This section covers installation of the PGUI32 from the distribution disk to the user's PC. Make sure the PC is capable of running Windows with at least 16 Mbytes of memory and 4 Mbytes of available hard disk space.

8.5.1 Connecting the AC Source to the PC When Using RS232

Connect the AC source to the PC using an RS232C cable.

Set the AC source COM port settings as follows:

Baud rate: 19200 baud for model 2003RP
 Data bits: 8
 Stop bits: 1
 Parity bits: none
 Handshake: Hardware

The AC source is configured to accept the above setting.

Select the RS232 interface by sliding the interface selection DIP switch on the rear panel to the RS232 position.

8.5.2 Connecting the AC Source to the PC Using IEEE-488

Connect the AC source to the PC using an IEEE-488 interface cable. A National Instruments GPIB controller card is required to use the PGUI32 program.

Select the IEEE-488 interface by sliding the interface selection dip switch on the rear panel to the IEEE-488 position.

Set the desired IEEE address using DIP switch position 4 through 0 on the rear panel.

8.5.3 Installing the PGUI32 Software

The PGUI32 software is distributed on a set of 3.5 inch high density floppy diskettes or on CD-ROM. The PGUI32 must be installed from these diskettes or CD using the included setup program as all required files are compressed. You cannot copy the contents of these diskettes or CD to your PC hard drive and run the program. To install the PGUI32, proceed as follows:

1. Turn on the PC and boot up in Windows™
2. Insert the first disk (labeled Disk 1 of 3) in drive A or B or insert the CD in your CD-ROM drive.
3. From the Windows Start Menu, select RUN.
4. At the "Open" prompt, type A:Setup or B:Setup depending on which disk drive you used and click on the OK button. If you are installing from CD ROM, locate the Win32/PGUI32 directory on the CDRom and run the setup program.
5. Follow the instructions provided by the setup program to complete the installation. At some point, you will be asked to insert the second disk (Disk 2). Remove the first disk and replace it with disk 2 and press OK to continue the installation. Continue through the last disk.
6. When the installation is complete, remove the last disk from the floppy drive and store the disks in a safe place.

Reboot the PC to activate the new settings. You are now ready to start using the PGUI32 software.

8.6 Troubleshooting - RS232C

This section provides guidelines for resolving communication problems that may occur when using the PGUI32 software under Windows™.

You may encounter problems when using the serial interface with the PGUI32 program that is supplied with the interface option for this source.

Symptoms:

1. Unable to verify connection to the power source through RS232C interface. Time-out occurs and dialog box appears that asks if you want to switch to simulation mode. An error message (ERR -100) may appear on the front panel LCD's of the power source.

- Or -

2. Verification is successful but slewing of voltage, frequency or current limit results in an ERR -100.

Things to check first:

1. Is the PC COM port you selected to use really available for this purpose? On older PC's COM port interrupts are often shared between COM1 and COM3 as well as COM2 and COM4. If any of these other com ports is in use, it may prevent you from using the COM port that shares the same interrupt.
2. Did you use the RS232C cable that was supplied with the P/RP AC source? This is not a null-modem cable and cannot easily be obtained at a computer store. If you do not have the original cable, consult the PGUI32 on line help under Interface settings for a wiring diagram.
3. Did you connect the cable in the right direction? This cable is unidirectional and should be marked with a SOURCE and a PC label. Make sure you connect the SOURCE side of the cable to the back of the AC source and the PC side of the cable to the PC port.

Resolution for Symptom 1

The P and RP Series of AC sources require hardware handshaking to control data flow from the PC to the AC source. After receiving a command, the AC source asserts the DTR line to hold off further communication from the PC until the command just sent has been processed. Under Windows 95, it is possible to use a 16 byte transmit buffer if a 16550 UART is present. This FIFO exceeds the length of most AC source commands. When enabled, this mode may result in more than one command being placed in the UART output buffer. If this happens, the handshake from the AC source will not prevent the content of this buffer being sent to the AC source and thus will result in more than one command being sent to the AC source.

To resolve this problem, the UART FIFO length needs to be reduced or disabled altogether. The procedure to disabled the FIFO mode is outlined in the next paragraph.

Note: If turning off the UART FIFO conflicts with other applications that need to run on the same PC using the same COM port, this solution may not be acceptable. In this case, skip this step and proceed to the second symptom resolution which relies on a software implemented hold-off instead of turning off the FIFO buffer. If you are using Windows 3.1 and experience the same problem, the latter method is the only resolution available to you so you should skip the next paragraph as well.

Procedure

1. Make sure the PGUI32 program is closed and no device is using the COM port in use.
2. From the Windows™ desktop, right click on the “My Computer” icon which is located in the top left corner of the screen.
3. From the popup menu, select the “Properties” entry.
4. This brings up the System Properties dialog box
5. From the tabs shown at the top of the dialog box, select the “Device Manager” tab.
6. The relevant screen is shown in Figure 8-4.
7. Expand the Ports(COM&LPT) tree selection by clicking on the ‘+’ sign
8. Select the COM port you plan to use to communicate with the P or RP series power source.
9. With the correct COM port selected, click on the Properties button at the bottom left of the dialog box.
10. This brings up the settings dialog box for the COM port. In *Figure 8-4: System Properties Dialog Box* this example, COM2 is used.
11. From the tabs at the top of the dialog box, select the “Port Settings” tab.
12. This should bring up the dialog shown in Figure 8-5.

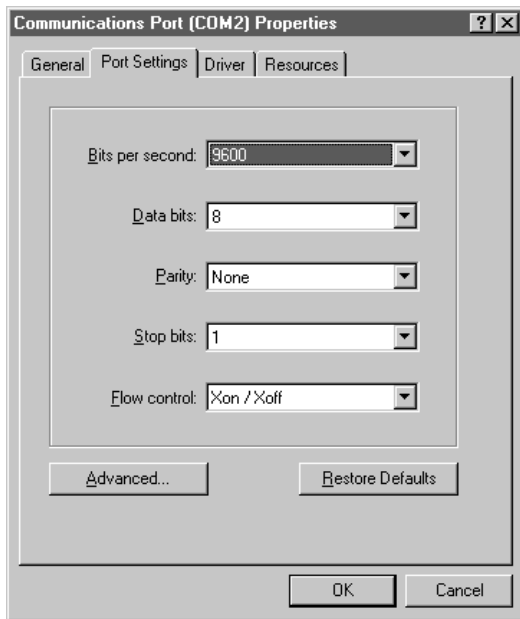
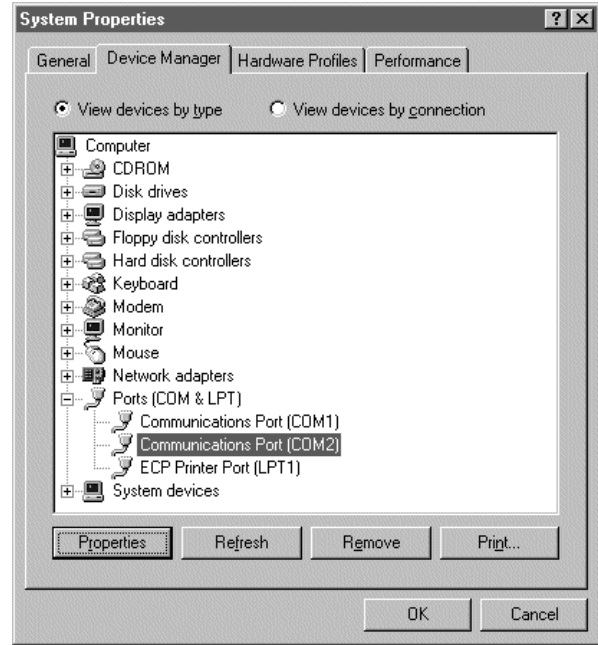


Figure 8-5: COM Port Properties Dialog Box

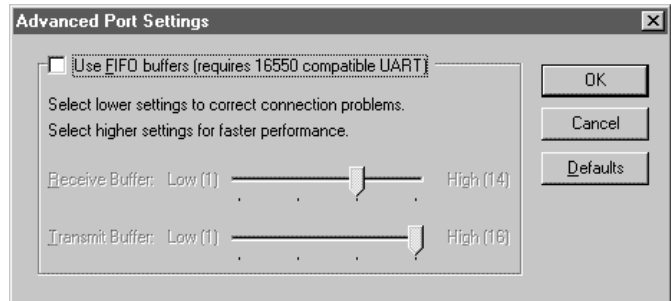


Figure 8-6: Advanced Port Settings Dialog Box

13. Next, select the Advanced button to bring up the advanced port settings dialog box shown in Figure 8-6.
14. At the top of the dialog box, disable the “Use FIFO buffers (requires 16550 compatible UART)” checkbox. This will bypass the UART FIFO’s and enable the hardware handshake to work correctly.
15. Click on the all OK buttons to close all dialog boxes that remain open.
16. This should enable the PGUI32 to work correctly.

Resolution for Symptom 2

Execute the suggested procedure to resolve symptom 1 first. If an occasional error continues to occur while slewing the voltage or frequency slider controls in the PGUI32 program, add a command delay to the PGUI32 Registry Interface section using the following procedure. This symptom may occur on some PC's.

Procedure

1. Close the PGUI32 program if it is still open.
2. Run the Windows Registry Editor (Regedit.exe) from the Run command line.
The correct setting is located at the following key:
HKEY_CURRENT_USER\Software\VB and VBA Program Settings\pgui32\Interface
3. Locate the HKEY_CURRENT_USER key and double click on it
4. Locate the Software key and double click on it.
5. Locate the VB and VBA Program Settings and double click on it.
6. Locate the Pgui32 key and double click on it.
7. Locate the Interface Key and double click on it.
8. In the right pane of the Registry Editor should be an entry called "CmdDelay". If no such entry is present add it yourself.
9. The default value for the CmdDelay is set to 10. Change this value to 20 by double clicking on the CmdDelay key and entering the new value from the keyboard.
10. Close the Registry Editor when done.
11. Try to connect again. You may have to cycle the power on the AC source if it still shows the Err -100 display.

Higher values than 20 may be set for the CmdDelay parameter if this fix does not resolve your problem.

8.7 Troubleshooting - IEEE-488 / GPIB

This section provides guidelines for resolving communication problems that may occur when using the 2003RP with or without the PGUI32 software with a IEEE-488 / GPIB interface.

Symptoms:

1. Unable to verify connection to the power source through IEEE-488 interface. Time-out occurs any time an attempt is made to verify connection.
2. Communication seems to work but Error 100, Command Errors occur when sending a series of setup commands to the AC source.

Things to check first:

1. Is the 2003RP interface option set to use the IEEE-488 interface instead of the RS232C interface? The DIP switch on the rear panel is used to select the desired interface mode. Refer to section 8.3.
2. Does the bus address selected in the System, Interface dialog match the address set using the DIP switches on the 2003RP? The GPIB address selected must match the settings on the DIP switch. If changes are made to the DIP switch setting, the 2003RP power must be cycled off and on to have the new settings take effect.
3. Did you connect the cable in correctly and are both ends of the GPIB cable securely tied down?

Resolution for Symptom 1

When using a fast IEEE-488 bus controller, the 2003RP's IEEE-488 interface may not handshake fast enough to satisfy the controller's timing requirement. If this is the case, a time-out will result any time a command is sent to the power source. To rectify this situation, the IEEE-488 controller must be set to use delayed bus timing. For National Instruments GPIB controller cards running under Windows™, this can be done from the device manager.

Select the GPIB interface and click on the NI-488.2M Settings tab. An Advanced button at the bottom of the screen will provide access to the Bus Timing parameter. Set this value to 2 μ sec to operate with the 2003RP GPIB interface.

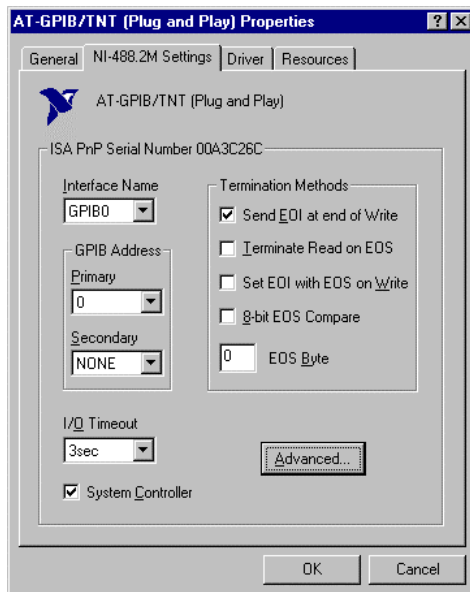


Figure 8-7: NI AT-GPIB/TNT Settings

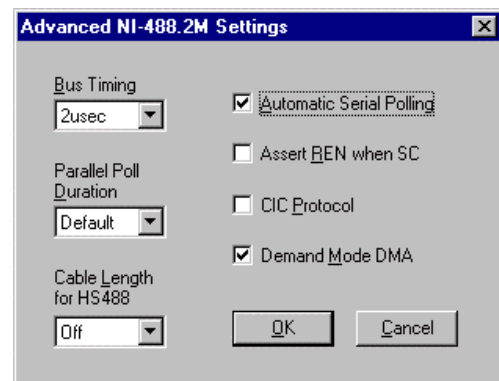


Figure 8-8: NI AT-GPIB/TNT Advanced Settings Dialog

Resolution for Symptom 2

The 2003RP has a limit on how fast it can process commands sent over the bus. When developing an application program that controls the 2001RP AC source, this must be considered. Specifically, if non-query commands (commands that don't wait for a response such as output setup commands) are sent at too high a rate, the AC source may not be able to process them. In that case, a -100 Command Error will be reported.

This condition may exist on both RS232 and GPIB interface modes and is more prone when faster controllers are used to run the application software. To prevent this condition, it will be necessary to space out successive commands using a 20 msec delay. Alternatively, commands could be sent to other instruments in the same system to accomplish the same result.

8.8 PGUI32 Distribution Files

The installation program will install the following files in the directories specified. Note that files with the same name that already exists in these directories will not be overwritten as part of the installation process. If older files of the same name are found, they will be replaced. If you need to retain a copy of these older version files, we recommend you back these files up prior to running the installation program.

Application directory files

The following files are copied to the application directory. The application directory name is chosen by the user during the installation process. The default directory for the PGUI32 is:

C:\Program Files\California Instruments\PGUI32

Pgui32.exe	Executable
Pgui32.hlp	On Line Help file
Pgui32.cnt	Help Contents file

Windows System directory files

The following shared files are stored in the Windows\System directory during installation:

Mscomm32.ocx	Microsoft Serial communications active control
ss32x25.ocx	Grid spreadsheet active control
Comdlg32.ocx	Microsoft Common dialog active control
Comctl32.ocx	Microsoft Common controls
Msvbvm50.dll	Microsoft Visual Basic 5.0 virtual machine library
Mfc42.dll	Microsoft Foundation Classes
Msvcrt.dll	Microsoft Visual C++ run-time library
Oleaut32.dll	Microsoft OLE automation server

IEC Test Programs Directory Files

File name	Description
Generic IEC 1000-4-11 Voltage Variations Test.411_Vars	Test levels for IEC 1000-4-11
Generic IEC 1000-4-11 Voltage Dips Test.411_Dips	Test levels for IEC 1000-4-11
EN 61326-1 Voltage Interrupts.411_Dips	Test levels for IEC 1000-4-11
Generic IEC 1000-4-14 Test Level 1.414_Fluc	Test levels for IEC 1000-4-14
Generic IEC 1000-4-14 Test Level 2.414_Fluc	Test levels for IEC 1000-4-14
Generic IEC 1000-4-28 Freq Vars Test Level 1.428_Vars	Test levels for IEC 1000-4-28
Generic IEC 1000-4-28 Freq Vars Test Level 2.428_Vars	Test levels for IEC 1000-4-28
Generic IEC 1000-4-28 Freq Vars Test Level 3.428_Vars	Test levels for IEC 1000-4-28

User files for above tests may be distributed as well. These files use a 4XX_USER extension.

Test Sequence Program Directory Files

File name	Description
Sample sequence test file.SEQ	Sample output sequence file

Note: The location of these files as well as the files themselves may change with future versions of the PGUI32. Consult the included readme file for last minute program information.

8.9 Software Registration

Updates of this and other California Instruments programs are posted on a regular basis on the California Instruments web site. You can find available programs by selecting the Software, GUI's and Drivers menu. To gain access to these downloads, you will need to register as a user on our web site. For instructions on how to register and request the required access level for software downloads, visit our web site at

www.calinst.com

Page intentionally left blank

9 Introduction to SCPI

SCPI (Standard Commands for Programmable Instruments) is a programming language for controlling instrument functions over the RS232 or IEEE 488 bus. The same SCPI commands and parameters control the same functions in different classes of instruments. For example, you would use the same MEAS:VOLT? command to measure the AC source output voltage or the output voltage of a SCPI-compatible Multimeter.

9.1 Conventions Used in This Manual

Angle brackets<>	Items within angle brackets are parameter abbreviations. For example, <NR1> indicates a specific form of numerical data.
Vertical bar	Vertical bars separate alternative parameters. For example, 0 1 indicates that either "0" or "1" can be used as a parameter.
Square Brackets[]	Items within square brackets are optional. The representation [SOURce:]VOLT means that SOURce: may be omitted.
Boldface font	Boldface font is used to emphasize syntax in command definitions. CURR <NRf> shows a command definition.
Upper case font	Upper case font is used to show program lines in text. OUTP 1 shows a program line.

9.2 The SCPI Commands and Messages

This paragraph explains the syntax difference between SCPI Commands and SCPI messages.

The AC source supports two types of commands, IEEE-488-2 common and SCPI subsystem.

- IEEE-488-2 common commands are generally not related to specific operations but to controlling overall AC source functions such as reset, status and synchronization. All common commands consist of a three-letter mnemonic preceded by an asterisk:

```
*RST      *IDN? *SRE 255
```
- SCPI subsystem commands perform specific AC source functions. They are organized into an inverted tree structure with the "root" at the top. Some are single commands while others are grouped within specific subsystems. **You must include the root header in all commands sent to the AC source.**

Refer to appendix A for the AC source SCPI tree structure.

Types of SCPI Messages

There are two types of SCPI messages, program and response.

- A program message consists of one or more properly formatted SCPI commands sent from the controller to the AC source. The message, which may be sent at any time, requests the AC source to perform some action.
- A response message consists of data in a specific SCPI format sent from the AC source to the controller. The AC source sends the message only when commanded by a program message called a "query."

The entire message would be:

```
SOUR:VOLT:RANG 150;LEV 115.
```

The message terminator after LEV 115 returns the path to the root.

Note: The 2003RP interface buffer is limited to 45 characters + [LF]. As such, compound commands should be used with care to make sure they do not exceed this message length limit.

Moving Among Subsystems

In order to combine commands from different subsystems, you need to be able to restore the active path to the root. You do this with the root specifier (:). For example, you could set the output frequency to 60 Hz and set the display mode to frequency.

```
FREQ 60  
DISP:MODE 0
```

Because the root specifier resets the command parser to the root, you can use the root specifier and do the same thing in one message:

```
FREQ 60;;DISP:MODE 0
```

Including Common Commands

You can combine common commands with system commands in the same message. Treat the common command as a message unit by separating it with a semicolon (the message unit separator). Common commands do not affect the active header path; you may insert them anywhere in the message.

```
VOLTage 115;*ESE 255  
OUTPut 0;*RCL 2
```

9.3 Using Queries

Observe the following precautions with queries:

- Set up the proper number of variables for the returned data.
- Read back all the results of a query before sending another command to the AC source. Otherwise a Query Error will occur and the non-returned data will be lost.

9.4 Structure of a SCPI Message

SCPI messages consist of one or more message units ending in a message terminator. The terminator is not part of the syntax, but implicit in the way your programming language indicates the end of a line (such as a newline or end-of-line character).

The Message Unit

The simplest SCPI command is a single message unit consisting of a command header (or keyword) followed by a message terminator.

```
FREQuency?<newline>  
VOLTage?<newline>
```

The message unit may include a parameter after the header. The parameter usually is numeric:

```
VOLTage 20<newline>  
OUTPut 1<newline>
```


Combining Message Units

The following command message is briefly described here, with details in subsequent paragraphs.

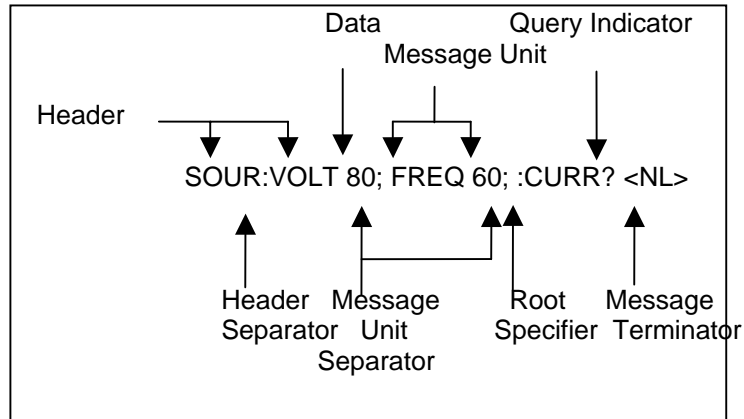


Figure 9-2: Command Message Structure

The basic parts of the above message are:

Message Component	Example
Headers	SOUR VOLT FREQ CURR
Header Separator	The colon in SOUR:VOLT
Data	80 60
Data Separator	The space in VOLT 80 and FREQ 60
Message Units	VOLT 80 FREQ 60 CURR?
Message Unit Separator	The semicolons in VOLT 80; and FREQ 60;
Root Specifier	The colon in :CURR?
Query Indicator	The question mark in CURR?
Message Terminator	The <NL> (newline) indicator. Terminators are not part of the SCPI syntax

Note: *The use of compound messages such as the one shown in Figure 12-2 is not recommended as they typically exceed the available receive buffer length of the RP Series interface.*

Headers

Headers are instructions recognized by the AC source. Headers (which are sometimes known as "keywords") may be either in the long form or the short form.

Long Form The header is completely spelled out, such as VOLTAGE, SYSTEM, and OUTPUT.

Short Form The header has only the first three or four letters, such as VOLT, SYST, and OUTP.

The SCPI interface is not sensitive to case. It will recognize any case mixture, such as VOLTAGE, VOLTage or Voltage. Short form headers result in faster program execution.

Note: *In view of the 45 character receive buffer size of the RP Series, the short form is recommended under all circumstances.*

Header Convention

In the command descriptions in chapter 10 of this manual, headers are emphasized with boldface type. The proper short form is shown in upper-case letters, such as **DELaY**.

Header Separator

If a command has more than one header, you must separate them with a colon (SYSTem:ERRor LIMit:FREQuency:LOW).

Optional Headers

The use of some headers is optional. Optional headers are shown in brackets, such as VOLTage[:LEVel] 100.

Query Indicator

Following a header with a question mark turns it into a query (VOLTage?, VRANGe?).

Message Unit Separator

When two or more message units are combined into a compound message, separate the units with a semicolon (VOLT 100;FREQ 60).

Root Specifier

When it precedes the first header of a message unit, the colon becomes the root specifier. It tells the command parser that this is the root or the top node of the command tree. Note the difference between root specifiers and header separators in the following examples:

SOURce:VOLTage:LEVel 100	All colons are header separators
:SOURce:VOLTage:LEVel 100	Only the first colon is a root specifier
SOURce:VOLTage:LEVel 100;:FREQuency 55	Only the third colon is a root specifier

You do not have to precede root-level commands with a colon; there is an implied colon in front of every root-level command.

Message Terminator

A terminator informs SCPI that it has reached the end of a message. The only permitted message terminator is:

- newline (<NL>), which is ASCII decimal 10 or hex 0A.

In the examples of this manual, there is an assumed message terminator at the end of each message. If the terminator needs to be shown, it is indicated as <NL> regardless of the actual terminator character.

9.5 SCPI Data Formats

All data programmed to or returned from the AC source is in ASCII. The data type may be numerical or character string.

Numerical Data Formats

Symbol	Data Form
--------	-----------

Talking Formats	
<NR1>	Digits with an implied decimal point assumed at the right of the least-significant digit. Examples: 273
<NR2>	Digits with an explicit decimal point. Example: .0273
<NR3>	Digits with an explicit decimal point and an exponent. Example: 2.73E+2
<Bool>	Boolean Data. Example: 0 1

Listening Formats	
<Nrf>	Extended format that includes <NR1>, <NR2> and <NR3>. Examples: 273.2 , 2.73E2
<Bool>	Boolean Data. Example: 0 1

Character Data

Character strings returned by query statements may take either of the following forms, depending on the length of the returned string:

<CRD>	Character Response Data. Permits the return of character strings.
<AARD>	Arbitrary ASCII Response Data. Permits the return of unlimited 7-bit ASCII. This data type has an implied message terminator.
<SRD>	String Response Data. Returns string parameters enclosed in double quotes.

9.6 Bus Throughput and Timing Considerations

The 2001RP has a limit on how fast it can process commands sent over the bus. When developing an application program that controls the 2001RP AC source, this must be considered. Specifically, if non-query commands (commands that don't wait for a response such as output setup commands) are sent at too high a rate, the AC source may not be able to process them. In that case, a -100 Command Error will be reported.

This condition may exist on both RS232 and GPIB interface modes and is more prone when faster controllers are used to run the application software. To prevent this condition, it will be necessary to space out successive commands using a 20 msec delay. Alternatively, commands could be sent to other instruments in the same system to accomplish the same result.

10 SCPI Command Reference

Where appropriate, related commands or queries are included. These are listed because they are either directly related by function, or because reading about them will clarify or enhance your understanding of the original command or query.

This chapter is organized as follows:

- Subsystem commands, arranged by subsystem
- IEEE 488.2 common commands

10.1 Subsystem Commands

Subsystem commands are specific to AC source functions. They can be a single command or a group of commands. The groups are comprised of commands that extend one or more levels below the root. The description of common commands follows the description of the subsystem commands.

The subsystem command groups are listed in alphabetical order and the commands within each subsystem are grouped alphabetically under the subsystem. Commands followed by a question mark (?) take only the query form. When commands take both the command and query form, this is noted in the syntax descriptions.

10.2 Calibration Subsystem

The commands in this subsystem allow you to do the following:

- Enable and disable the calibration mode
- Calibrate all measurement circuits and store new calibration coefficients in nonvolatile memory.

Subsystem Syntax

CALibrate		
:STATe		Enables or disables the calibration mode
:MEASure		
:CURRent		
[:FSC]		Calibrate full scale AC current measurement
:ZERO		Trim AC current measurement offset
:PCURrent		
[:FSC]		Calibrate full scale AC peak current measurement
:ZERO		Trim AC peak current measurement offset
:POWer		
[:FSC]		Calibrate full scale AC power measurement
:ZERO		Trim AC power measurement offset
:VOLTage		
[:FSC]		Calibrate full scale AC voltage measurement
:ZERO		Trim AC voltage measurement offset
[:SOURce]		
:VOLTage		Calibrate output voltage

10.2.1 Calibration State

CALibrate:STATe

This command puts the AC source in calibration mode. The calibration mode is required to use the data entry form of the calibration commands. Without setting the correct state using this command, only the query form can be used to query any calibration coefficients but no new calibration can be performed. Calibration queries return the calibration coefficient for the specified measurement parameter. Calibration coefficients range from -127 to + 127.

Note *Any changes made to calibration coefficients are not saved in non-volatile memory until the SYSTem:SAVE command is issued before turning the Cal state off.*

CAL:STAT 0	Turns calibration mode off.
CAL:STAT 1	Turns calibration mode on.

Command Syntax	CALibrate:STATe 0 1
Parameters	<Bool>
Examples	CAL:STAT 1 CAL:STAT 0
Related Commands	CAL[:SOUR] CAL:MEAS SYST:SAVE

10.2.2 Measurement Calibration

All measurement calibrations are performed by adjusting the measurement reading up or down using a calibration coefficient. The coefficient value ranges from -127 (adjust full-scale downward, zero upward) to + 127 (adjust full-scale upward, zero downward). When used in combination with the MEAS commands, an automated measurement calibration procedure can be implemented by adjusting the coefficient and reading the new measurement value iteratively until the delta between an external reference measurement device and the AC source internal measurement is within the specified accuracy.

CALibrate:MEASure:CURRent[:FSCale] <NRf>

This command affects the calibration of the AC current measurement at full scale.

Command Syntax	CALibrate:MEASure:CURRent[:FSCale] <NRf>
Parameters	<NRf> (value range -127 to +127)
Examples	CAL:MEAS:CURR -23
Query Syntax	CALibrate:MEASure:CURRent?
Returned Parameters	<NR1> (value range -127 to +127)
Related Commands	CALibrate:MEASure:VOLTage

CALibrate:MEASure:CURRent:ZERO <NRf>

This command affects the calibration of the AC current measurement zero offset.

Command Syntax	CALibrate:MEASure:CURRent:ZERO <NRf>
Parameters	<NRf> (value range -127 to +127)
Examples	CAL:MEAS:CURR:ZERO +12
Query Syntax	CALibrate:MEASure:CURRent:ZERO?
Returned Parameters	<NR1> (value range -127 to +127)
Related Commands	CALibrate:MEASure:CURRent

CALibrate:MEASure:PCURrent[:FSCale] <NRf>

This command affects the calibration of the AC peak current measurement at full scale.

Command Syntax	CALibrate:MEASure:PCURrent[:FSCale] <NRf>
Parameters	<NRf> (value range -127 to +127)
Examples	CAL:MEAS:PCUR -23
Query Syntax	CALibrate:MEASure:PCURrent?
Returned Parameters	<NR1> (value range -127 to +127)
Related Commands	CALibrate:MEASure:VOLTage

CALibrate:MEASure:PCURrent:ZERO <NRf>

This command affects the calibration of the AC current measurement zero offset.

Command Syntax	CALibrate:MEASure:PCURrent:ZERO <NRf>
Parameters	<NRf> (value range -127 to +127)
Examples	CAL:MEAS:PCUR:ZERO +12
Query Syntax	CALibrate:MEASure:PCURrent:ZERO?
Returned Parameters	<NR1> (value range -127 to +127)
Related Commands	CALibrate:MEASure:CURRent

CALibrate:MEASure:POWer[:FSCale] <NRf>

This command affects the calibration of the power measurement at full scale.

Command Syntax	CALibrate:MEASure:POWer[:FSCale] <NRf>
Parameters	<NRf> (value range -127 to +127)
Examples	CAL:MEAS:POW 78
Query Syntax	CALibrate:MEASure:POWer?
Returned Parameters	<NR1> (value range -127 to +127)
Related Commands	CALibrate:MEASure:CURRent

CALibrate:MEASure:POWer:ZERO <NRf>

This command affects the calibration of the power measurement zero offset.

Command Syntax	CALibrate:MEASure:POWer:ZERO <NRf>
Parameters	<NRf> (value range -127 to +127)
Examples	CAL:MEAS:POW:ZERO -5
Query Syntax	CALibrate:MEASure:POWer:ZERO?
Returned Parameters	<NR1> (value range -127 to +127)
Related Commands	CALibrate:MEASure:POWer

CALibrate:MEASure:VOLTag[:FSCale] <NRf>

This command affects the calibration of the rms voltage measurement at full scale.

Command Syntax	CALibrate:MEASure:VOLTag[:FSCale] <NRf>
Parameters	<NRf> (value range -127 to +127)
Examples	CAL:MEAS:VOLT 56
Query Syntax	CALibrate:MEASure:VOLTag?
Returned Parameters	<NR1> (value range -127 to +127)
Related Commands	CALibrate:MEASure:CURRent

CALibrate:MEASure:VOLTag:ZERO <NRf>

This command affects the calibration of the rms voltage measurement zero offset.

Command Syntax	CALibrate:MEASure:VOLTag:ZERO <NRf>
Parameters	<NRf> (value range -127 to +127)
Examples	CAL:MEAS:VOLT:ZERO +4
Query Syntax	CALibrate:MEASure:VOLTag:ZERO?
Returned Parameters	<NR1> (value range -127 to +127)
Related Commands	CALibrate:MEASure:VOLTag

10.2.3 Output Calibration

The AC voltage output calibration is performed by adjusting the output up or down using a calibration coefficient. The coefficient ranges from -127 (adjust upward) to + 127 (adjust downward). An external traceable reference AC voltmeter should be used for this purpose.

CALibrate[:SOURce]:VOLTage <NRf>

This command will set the calibration coefficient for the AC full scale output voltage.

Command Syntax	CALibrate[:SOURce]:VOLTage <NRf>
Parameters	<NRf> (a value between -127 and +127)
Examples	CAL:VOLT -2
Query Syntax	CALibrate:VOLTage?
Returned Parameters	<NR1> (value range -127 to +127)
Related Commands	CAL:STAT

10.3 Measurement Subsystem

This subsystem programs the measurement capability of the RP Series AC source. To select the desired phase, use the INST:NSEL command before the measurement command. Once selected, a phase selection remains in effect until the next INST:NSEL command.

Subsystem Syntax

:MEASure	
:VOLTage?	Returns the rms value of voltage
:CURRent?	Returns the rms value of current
:AMPLitude	
:MAX?	Returns peak current
:RESet	Reset the peak current measurements
:CREStfactor?	Returns current crest factor
:RANGe	Selects measurement range 0 = High, 1 = Low, 2 = AUTO
:POWer	
[:REAL]?	Returns real power in Watt
:APParent?	Returns apparent power in VA
:PFACtor?	Returns power factor

MEASure:VOLTage?

This query returns the AC rms voltage being sourced at the output terminals. Note that the output relay must be closed or no voltage will be present at the output terminals.

Query Syntax	MEASure:VOLTage?
Parameters	None
Examples	MEAS:VOLT?
Returned Parameters	<NR2>
Related Commands	OUTP 0 1

MEASure:CURRent?

This query returns the rms value of the output AC current being sourced at the output terminals. Note that the output relay must be closed to obtain current flow.

Query Syntax	MEASure:CURRent?
Parameters	None
Examples	MEAS:CURR?
Returned Parameters	<NR2>
Related Commands	OUTP 0 1 MEAS:CURR:AMPL:MAX?

MEASure:CURRent:AMPLitude:MAX?

This query returns the peak value of the output AC current being sourced at the output terminals. Note that the output relay must be closed to obtain current flow. The peak current measurement circuit uses a sample and hold method and latches the highest peak current value found since the last peak measurement reset command.

Query Syntax	MEASure:CURRent:AMPLitude:MAX?
Parameters	None
Examples	MEAS:CURR:AMPL:MAX?
Returned Parameters	<NR2>
Related Commands	OUTP 0 1 MEAS:CURR?

MEASure:CURRent:AMPLitude:RESet

This command resets the peak current measurement sample and hold circuit to zero.

Query Syntax	MEASure:CURRent:AMPLitude:RESet
Parameters	None
Examples	MEAS:CURR:AMPL:RES
Related Commands	MEAS:CURR:AMPL:MAX?

MEASure:CURRent:CREStfactor?

This query returns the crest factor of the output AC current being sourced at the output terminals. Crest factor is the ratio of peak value to rms value. Note that the output relay must be closed to obtain current flow.

Query Syntax	MEASure:CURRent:CREStfactor?
Parameters	None
Examples	MEAS:CURR:CRES?
Returned Parameters	<NR2>
Related Commands	MEAS:CURR? MEAS:CURR:AMPL:MAX?

MEASure:CURRent:RANGe

This commands selects the measurement range to use for current, peak current and power measurements. Available choices are high range (0), low range (1) or auto ranging (2). See measurement specifications (section 2.3) for actual range values.

Query Syntax	MEASure:CURRent:RANGe
Parameters	0 1 2
Examples	MEAS:CURR:RANG?
Returned Parameters	<NR2>
Related Commands	MEAS:CURR? MEAS:CURR:AMPL:MAX?

MEASure:POWer[:REAL]?

This query returns the true power delivered to the unit under test by the AC source. Note that the output relay must be closed to obtain current flow.

Query Syntax	MEASure:POWer[:REAL]?
Parameters	None
Examples	MEAS:POW?
Returned Parameters	<NR2>
Related Commands	MEAS:VOLT? MEAS:CURR?

MEASure:POWer:APParent?

This query returns the apparent power delivered to the unit under test by the AC source. Note that the output relay must be closed to obtain current flow.

Query Syntax	MEASure:POWer:APParent?
Parameters	None
Examples	MEAS:POW:APP?
Returned Parameters	<NR2>
Related Commands	MEAS:POW?

MEASure:POWer:PFACTOR?

This query returns the power factor. The power factor is the ratio between real power and apparent power. This value is always between 0.00 and 1.00. If the current measured is too low to determine the power factor, a 1.00 value is returned.

Query Syntax	MEASure:POWer:PFACTOR?
Parameters	None
Examples	MEAS:POW:PFAC?
Returned Parameters	<NR2>
Related Commands	MEAS:POW? MEAS:POW:APP?

10.4 Instrument Subsystem

The Instrument subsystem controls the selected phase of the AC power source for configurations capable of operating in three phase mode.

Subsystem Syntax

INSTrument
 :COUPle 1 | 0 Couples or uncouples commands
 :NSElect 1 | 2 | 3 Selects phase A, B or C using numeric references

INSTrument:COUPle

This command may be used to couple all output phases in three phase mode. For the 2003RP, this command only applies to the OUTPut:DROP command. When the phases are coupled, the OUTP:DROP command affects all three phases. This allows the output voltage to be dropped for all three phases using a single command and without the need to select each phase individually. When uncoupled, the OUTP:DROP command must be preceded by the INST:NSEL command and will only affect the selected phase.

Available parameters are 1 to couple all phases and 0 to uncouple all phases.

Command Syntax	INSTrument:COUPle
Parameters	1 0
Examples	INST:COUP 1
Query Syntax	INST:COUP?
Returned Parameters	<NR1>
Related Commands	INST:NSEL OUTP:DROP

INSTrument:NSElect

This command may be used select a specific output phase using a numeric reference. A 1 denotes phase A, a 2 denotes phase B and a 3 denotes Phase C. For the OUTP:DROP command, the coupling state determines if the phase selection is used. For measurement commands, the phase selection always applies. Thus, coupling does not affect the operation of the measurement queries.

This means the instrument can remain in coupled mode while doing measurement queries using "INST:NSEL <n>;MEAS:VOLT?".

Note that when the instrument is subsequently put in the uncoupled state using "INST:COUP 0", the last issued phase selection will still be in effect for measurement queries. To make sure the desired phase is selected, follow the "INST:COUP 0" command with an "INST:NSEL <n>" command

Command Syntax	INSTrument:NSEL
Parameters	1 2 3
Examples	INST:NSEL 1
Query Syntax	INST:NSEL?
Returned Parameters	<CRD>
Related Commands	INST:COUP MEAS

10.5 Source Subsystem

This subsystem programs all the output parameters of the RP Series AC source.

Subsystem Syntax

[SOURce:]	
CURRent:	Set the rms current limit in amps.
VOLTage:	
[LEVel]	Set the rms output voltage value in volts.
RANGe:	
[LEVel]	Set the output voltage range.
AUTO	Enables or disables the AUTO range mode.
FREQUency:	Set the output frequency value in Hz.

[SOURce:]CURRent

This command sets the rms current limit of the output. If the load current exceeds the programmed current limit, the unit responds in one of two ways, depending on the current limit mode that is configured (hardware configuration only). In the default constant current mode, the output voltage will fold back as much as needed to retain the current at the programmed limit. No error message is generated when operating in this mode. If constant voltage mode is configured instead, the output latches into a disabled state when current limiting occurs. The output voltage is set to 5.0 volt when this condition occurs and the output relay state is set to 0 (output relay open). A “-300, Device specific error” fault is generated.

Note that the CURRent command is coupled with the VRANGe. This means that the maximum current limit that can be programmed at a given time depends on the voltage range setting in which the unit is presently operating.

Command Syntax	[SOURce:]CURRent <NRf>
Parameters	0 to a value specified by the LIM:CURR
Unit	A (rms amperes)
*RST	Defined by the PON
Examples	CURR 5
Query Syntax	CURRent?
Returned Parameters	<NR2>
Related Commands	VOLT:RANG

[SOURce:]FREQuency

This command sets the frequency of the output sinewave.

Command Syntax	[SOURce:]FREQuency <NRf>
Parameters	range specified by the LIM:FREQ:LOW and LIM:FREQ:HIGHigh commands
Unit	Hz (Hertz)
*RST Value	defined by PON
Examples	FREQ 50
Query Syntax	FREQuency?
Returned Parameters	<NR2>
Related Commands	LIM:FREQ:LOW? LIM:FREQ:HIGHigh?

[SOURce:]VOLTage

This command programs the AC rms output voltage level of the power source. The maximum voltage value allowed is determined by the selected voltage range. For 2003RP-AV models configured for single voltage range, only one range is available.

Command Syntax	[SOURce:]VOLTage[:LEVel] <NRf>
Parameters	0 to maximum voltage range specified by the VRAN command
Unit	V (rms voltage)
*RST Value	0 volt
Examples	VOLT 250 VOLT:LEV 25
Query Syntax	[SOURce:]VOLTage[:LEVel]?
Returned Parameters	<NR2>
Related Commands	VOLT:RANGe

[SOURce:]VOLT:RANGe[:LEVel]

This command sets the voltage range of the power source. Two voltage ranges are available: a 135 volt range and a 270 volt range. However, 2003RP units with optional voltage ranges are available as well. In this case, the actual voltage range values will be different. To determine the actual range values, use the query format of the RANGE command. The returned values for high and low range (e.g. 135 and 270) should be used to change range. In most cases, the high voltage range value will be two times the low voltage range value. Sending a parameter other than the actual range values will not be accepted.

For 2003RP-AV models configured for single voltage range, only one range is available. In this case, the VOLT:RANG command will return the value for the only available range. Attempting to select any other voltage range will result in a “-100, Command Error”. The presence of a single voltage range unit may be determined using the Limit subsystem, see section 10.7.

Some RP Series may use other voltage range values than shown here. It is recommended to query the actual range values using the LIM:VOLT? query as part of your application program. See section 10.7.

When the range is set to 135, the maximum rms voltage that can be programmed is 135 volts.

The VOLT:RANG command is coupled with the CURRent command. This means that the maximum current limit that can be programmed at a given time depends on the voltage range setting in which the unit is presently operating.

Command Syntax	[SOURce:]VOLTage:RANGe[:LEVel] <NRf>
Parameters	135 270
*RST Value	defined by the PONS
Examples	VOLT:RANG 135
Query Syntax	VOLT:RANGe?
Returned Parameters	<NR2>
Related Commands	VOLT LIM:VOLT? VOLT:RANG:AUTO

[SOURce:]VOLT:RANGe:AUTO

This command sets the AC source range to the AUTO mode. While in AUTO mode, the AC source automatically switches to the optimal voltage range for the voltage programmed. Note that switching voltage ranges causes the output to be interrupted momentarily. If power to the unit under test cannot be interrupted, the AUTO range should not be used.

To determine the actual voltage range in which the unit is operating, the VOLT:RANG? command query can be used.

For 2003RP-AV models configured for single voltage range, only one range is available. In this case, the VOLT:RANGe:AUTO command has no meaning and should not be used.

The maximum current limit that can be programmed at a given time depends on the voltage range setting in which the unit is presently operating. Programming a current limit value that exceeds the high voltage range capability does NOT cause the voltage range to change, even while in AUTO mode. Only voltage changes can prompt an automatic voltage range change.

Command Syntax	[SOURce:]VOLTage:RANGe:AUTO <Bool>
Parameters	<Bool> 0 1
*RST Value	0
Examples	VOLT:RANG:AUTO 1
Query Syntax	VOLT:RANG:AUTO?
Returned Parameters	<Bool>
Related Commands	VOLT LIM:VOLT? VOLT:RANG:LEV

10.6 Output Subsystem

This subsystem controls the main output function of the RP Series source.

Subsystem Syntax**OUTPut**

[:RELAy] Opens or closes the output relay.
 :DROp Drops the output voltage for a specified amount of time or indefinitely.

STARt:

[STATe] Enables or disables the start phase angle mode
 PHASe Sets the start phase angle value in degrees.

OUTPut[:RELAy]

The output of the AC source can be isolated from the unit under test by opening the output relay. The programmed output voltage is set to zero before opening the relay and is returned to its programmed value when closing the relay. This avoids hot switching the output relay contacts.

Command Syntax	OUTPut[:RELAy] <bool>
Parameters	<Bool> 0 1
*RST Value	defined by the PONS
Examples	OUTP 1
Query Syntax	OUTPut?
Returned Parameters	0 1
Related Commands	OUTP:DROp OUTP:STAR

OUTPut:DROP

The output drop command may be used to interrupt the voltage to the UUT without opening the output relay. This method uses an electronic means of interrupting the AC source output which enables short interruptions of as little as 1 ms or as long as 4000 s.

In addition to short interruption times, the drop command can be set to use any of four start phase angles at which to execute the voltage drop.

The parameter passed with the OUTP:DROP command is the drop duration in seconds. This value can range from 0.001 (1 ms) to 4000 (1 hour, 6 minutes, 40 seconds) but only four digits of resolution are allowed. If no parameter is passed, the output is dropped indefinitely or until a voltage command is issued. Thus valid times are:

Time range	
0.001 - 9.999	1 ms to 10 s
10.00 - 99.99	10 s to 100 s
100.0 - 999.9	100 s to 1000 s
1000 - 4000	1000 s to 4000 s
no parameter	Infinite time. Use VOLT command to turn output on.

Phase Selection

Phase selection is available for the Output Drop command. Thus, any specific phase may be selected for phase loss test applications or all three phases. The INSTRUMENT:COUPLE and INSTRUMENT:NSELECT command may be used to select all three phases or any individual phase. Phase angle programming always applies to phase A. Phase B and C have fixed phase offsets with respect to phase A.

Example: Turing on output voltage at a specified phase angle for all phases

The following command sequence will turn the output voltage on at a specified phase angle. This may be required to measure worst case inrush current.

```

/* Set up sequence
VOLT 0           Set output voltage to zero
INST:COUP 1     Couple all output phases
OUTP 1          Close output relay
OUTP:STAR:STAT 1 Enable start phase mode
OUTP:STAR:PHAS 90 Set start phase angle to 90 degrees on phase A
OUTP:DROP       Put AC source in infinite drop mode
/* Turn on sequence
VOLT 230        Turn on voltage to 230 V at 90 degrees

```

Example: Individual Phase Loss Test

The following command sequence will drop the output of phase A only for 10 cycles at 400 Hz.

/* Set up sequence	
VOLT 115;FREQ 400	Set output voltage to 115 V at 400 Hz (all phases)
INST:COUP 0	Uncouple output phases
INST:NSEL 1	Select phase A
OUTP 1	Close output relay
OUTP:STAR:STAT 1	Enable start phase mode
OUTP:STAR:PHAS 90	Set start phase angle to 90 degrees on phase A
OUTP:DROP 0.025	Drop for 25 ms (10 cycles @ 400 Hz)

Output drop status query

The status of a drop in progress can be queried using the query format of the OUTP:DROP command. This query will return a <Bool> indicating if the output time specified has expired (0) or the drop is still in progress (1).

Command Syntax	OUTPut:DROP <NRf>
Parameters	<NRf> none
*RST Value	none
Examples	OUTP:DROP 0.001
Query Syntax	OUTP:DROP?
Returned Parameters	0 1
Related Commands	OUTP:STAR:STAT OUTP:STAR:PHAS INST:COUP INST:NSEL

OUTPut: START[:STATe]

The output start state command is used to enable or disable the start phase logic of the AC source controller. If disabled (State = 0), any voltage drops with the OUTP:DROP command or voltage changes with the VOLT command are executed immediately without regard for the phase angle of the output sine wave.

If enable (State = 1), any voltage drops or voltage changes take place at one of four user specified phase angles. See the OUTP:STAR:PHAS command for available phase angle settings.

Command Syntax	OUTPut:START[:STATe] <bool>
Parameters	<Bool> 0 1
*RST Value	0
Examples	OUTP:STAR 1
Query Syntax	OUTP:STAR?
Returned Parameters	0 1
Related Commands	OUTP:DROP OUTP:STAR:PHAS INST:COUP INST:NSEL

OUTPut: START:PHASe

The output start phase command is used to set the start phase angle for drop or voltage programming commands. This phase angle information is used only if the OUTP:DROP:STATe is on (1). If not, all drops and voltage changes occur at random phase angles.

Available phase angle values are 0°, 90°, 180° and 270°. All other values when passed as a parameter to this command will generate a syntax error.

Command Syntax	OUTPut:START:PHASe <NR2>
Parameters	0 90 180 270
*RST Value	0
Examples	OUTP:STAR:PHAS 90
Query Syntax	OUTPut?
Returned Parameters	0 90 180 270
Related Commands	OUTP:DROP OUTP:STAR:STAT INST:COUP INST:NSEL

10.7 Limit Subsystem

This subsystem controls the voltage frequency and current limit of the power source. These limits are set at the factory and depend on the power source rating. It is not accessible by the user. The query format is accessible however.

Subsystem Syntax

LIMit:
 CURRent? Queries the upper current limit
 FREQuency:
 LOW? Queries the lower frequency limit
 HIGH? Queries the upper frequency limit
 VOLTage? Queries the upper voltage limit

LIMit:CURRent?

This command queries the maximum current limit the power source will operate at in the low voltage range.

Command Syntax	LIMit:CURRent <NRf>	
Parameters	maximum current limit at low voltage range	[command protected]
Query Syntax	LIMit:CURRent?	
Returned Parameters	<NR2>	

LIMit:FREQuency:LOW?

This command queries the lower frequency limit of the power source. On the 2003RP-AV, the frequency range may have been factory configured to a fixed single value. In this case, the High and Low frequency limits will be set to the same value and both queries will return the same number. Sending a frequency command with any value other than the set value will result in a "-100, Command Error".

Command Syntax	LIMit:FREQuency:LOW <NRf>	
Parameters	Low freq limit	[command protected]
Query Syntax	LIMit:FREQuency:LOW?	
Returned Parameters	<NR2>	

LIMit:FREQuency:HIGH?

This command queries the upper frequency limit of the power source. On the 2003RP-AV, the frequency range may have been factory configured to a fixed single value. In this case, the High and Low frequency limits will be set to the same value and both queries will return the same number. Sending a frequency command with any value other than the set value will result in a "-100, Command Error".

Command Syntax	LIMit:FREQuency:HIGH <NRf>	
Parameters	High freq limit	[command protected]
Query Syntax	LIMit:FREQuency:HIGH?	
Returned Parameters	<NR2>	

LIMit:VOLTage?

This command queries the maximum voltage the power source will operate at in the high voltage range. For 2003RP-AV models configured for single voltage range, only one range is available. In this case, this command will return the value for the only available voltage range. The presence of a single range configuration can be derived from the limit value returned. If the voltage limit value is less than 201 volt, the 2003RP is configured for single voltage range operation. If a value above 200 volt is returned, the 2003RP has a high and a low voltage range. On dual range configurations, the maximum voltage in the high range is returned and this value must be even. The low range value is half that of the high range. On single voltage range units, the value voltage of the only available range is returned and this value can be odd or even.

Only the Query format of this command is available to the user.

Command Syntax	LIMit:VOLTage<NRf>	
Parameters	maximum voltage available in high voltage range protected]	[command
Query Syntax	LIMit:VOLTage?	
Returned Parameters	<NR2>	

10.8 Display Subsystem**DISPlay:MODE**

This command is used to control the right hand side AC source display. The command will allow the multifunction LCD display to switch between display of frequency, current, peak current, power or power factor data.

The encoding for the mode command is as shown in the table below,

Parameter	Value
Frequency	1
Current	2
Peak Current	3
Power	4
Power Factor	5

Table 10-1: Mode Command Encoding

Command Syntax	DISPlay:MODE <NR2>
Parameters	1 2 3 4 5
*RST Value	1
Examples	DISP:MODE 2
Query Syntax	DISPlay:MODE?
Returned Parameters	<NR1>
Related Commands	none

10.9 System Commands

The system commands control the system level functions of the AC Source.

Subsystem Syntax

SYSTem:	
ERRor?	Returns the error number and error string
KLOCK	Keyboard Lock. Sets the power on REMOTE/LOCAL state.
LOCal	Go to local mode
PON	Define the power on register number
REMote	Go to remote mode
SAVE	Saves calibration coefficients if calibration state is on

SYSTem:ERRor?

This query returns the next error number followed by its corresponding error message string from the remote programming error queue. The queue is a FIFO (first-in, first-out) buffer that stores errors as they occur. As it is read, each error is removed from the queue. When all errors have been read, the query returns 0,"No Error". If more errors are accumulated than the queue can hold, the last error in the queue is -350,"Queue overflow".

Query Syntax	SYSTem:ERRor?
Parameters	None
Returned Parameters	<NR1>,<SRD>
Example	SYST:ERR?

SYSTem:KLOCK

This command sets or clears the power-on LOCAL or REMOTE state. When set (1), the AC Source will power up in remote state, locking out all keyboard controls. The local state can only be entered by sending a bus command. This mode may be used to prevent operator access to front panel controls under all conditions. Note that changing the state of the KLOC setting does not change the REMOTE or LOCAL state. This setting only affects the REMOTE/LOCAL state at power-up.

Command Syntax	SYSTem:KLOCK
Parameters	0 1
Example	SYST:KLOC 1
Query Syntax	SYST:KLOC?
Returned Parameters	<NR1>
Related Commands	SYST:REM SYST:LOC

SYSTem:LOCAl

This command sets the interface in Local state, which enables the front panel controls. This command only applies to the RS232C interface. If IEEE 488 is used, the remote/local state is determined by the REN line on the IEEE 488 interface.

Command Syntax	SYSTem:LOCAl
Parameters	None
Example	SYST:LOC
Related Commands	SYST:REM

SYSTem:REMOte

This command sets the interface in the Remote state, which disables all front panel controls. This command only applies to the RS232C interface. If IEEE 488 is used, the remote/local status is determined by the REN line on the IEEE 488 interface.

Command Syntax	SYSTem:REMOte
Parameters	None
Example	SYST:REM
Related Commands	SYST:LOC

SYSTem:PON

This command is used to define the register value the power source will use to initialize its parameters at power-up. If data in the selected register is not valid or the selected register is 8, the initialization will be with factory default values. Refer to Table 4-1: Factory Default Power on Settings on page 32.

Note that units with the -AV option installed should not use the SYSTem:PON command with parameter 8 to select the factory defaults as the factory default setting would set the output frequency to 60 Hz. The lowest allowable frequency on -AV units is 360 Hz. Valid parameter range for the SYSTem:PON command on -AV units is 0 through 7

Command Syntax	SYSTem:PON <NRf>
Parameters	0 to 8 (0 to 7 for -AV option units)
Examples	SYST:PON 1
Query Syntax	SYST:PON?
Returned Parameters	<NR1>
Related Commands	*SAV

SYSTem:SAVE

This command saves the calibration coefficients for output and measurement calibration to the non volatile memory of the AC source. This command is only valid while the AC source is in the Calibration mode. (See section 10.2.1 for details).

Command Syntax	SYSTem:SAVE
Parameters	none
Examples	SYST:PON
Related Commands	CAL:STAT

10.10 Common Commands

Common commands begin with an * and consist of three letters (command) or three letters and a ? (query). Common commands are defined by the IEEE 488.2 standard to perform some common interface functions. The power source responds to the required common commands that control status reporting, synchronization, and internal operations. RP Series units also respond to optional common commands that control stored operating parameters.

Common commands and queries are listed alphabetically. If a command has a corresponding query that simply returns the data or status specified by the command, then both command and query are included under the explanation for the command. If a query does not have a corresponding command or is functionally different from the command, then the query is listed separately. The description for each common command or query specifies any status registers affected. Refer to Chapter 12 which explains how to read specific register bits and use the information that they return.

Common Commands Syntax

*CLS	Clear status
*ESE <n>	Standard event status enable
*ESE?	Return standard event status enable
*ESR?	Return event status register
*IDN?	Return instrument identification
*RCL <n>	Recall instrument state
*RST	Reset
*SAV <n>	Save instrument state
*SRE <n>	Set service request enable register
*SRE?	Return service request enable register
*STB?	Return status byte

10.10.1 *CLS

This command clears the following registers (see chapter 12 for descriptions of all status registers):

- Standard Event Status
- Status Byte
- Error Queue

Command Syntax	*CLS
Parameters	None

10.10.2 *ESE

This command programs the Standard Event Status Enable register bits. The programming determines which events of the Standard Event Status Event register (see *ESR?) are allowed to set the ESB (Event Summary Bit) of the Status Byte register. A "1" in the bit position enables the corresponding event. All of the enabled events of the Standard Event Status Enable Register are logically OR-ed to cause the Event Summary Bit (ESB) of the Status Byte Register to be set. See Section 16 for descriptions of the Standard Event Status registers.

The query reads the Standard Event Status Enable register.

Table 10-2: Bit Configuration of Standard Event Status Enable Register

Bit Position	7	6	5	4	3	2	1	0
Bit Name	PON	not used	CME	EXE	DDE	QYE	not used	not used
Bit Weight	128		32	16	8	4		

CME	Command error	DDE	Device-dependent error
EXE	Execution error	QYE	Query error
PON	Power-on		

Command Syntax	*ESE <NRf>
Parameters	0 - 255
Power-On Value	128
Example	*ESE 129
Query Syntax	*ESE?
Returned Parameters	<NR1>(Register value)
Related Commands	*ESR? *STB?

10.10.3 *ESR?

This query reads the Standard Event Status register. Reading the register clears it. The bit configuration of this register is the same as the Standard Event Status Enable register (see *ESE).

Query Syntax	*ESR?
Parameters	None
Returned Parameters	<NR1>(Register value)
Related Commands	*CLS *ESE *ESE?

If the *ESR? returns the value of the status bits in the ESR register. Refer to Table 10-3 for the status bits and their meaning.

Table 10-3: Bit Configuration of Standard Event Status Register

Bit Position	7	6	5	4	3	2	1	0
Bit Name	PON	not used	CME	EXE	DDE	QYE	not used	not used
Bit Weight	128		32	16	8	4		

CME	Command error	DDE	Device-dependent error
EXE	Execution error	QYE	Query error
PON	Power-on		

10.10.4 *IDN?

This query requests the source to identify itself. It returns the data in four fields separated by commas. Note that any installed options such as –AV are not reflected in the *IDN? query response. The presence of these options that may affect the power source’s capabilities must be determined by querying the Limit system. See section 10.7.

Query Syntax	*IDN?	
Returned Parameters	<AARD>	
	Field	Information
	CI	Manufacturer
	xxxxxx	Model number and letter
	nnnnnn	Serial number or 0
	Rev. x.x	Revision level of firmware
Example	"CI,2003RP,12345,Rev 1.0"	

The following table shows the series of queries that may be used to detect the presence of a 2003RP or a 2003RP-AV and to determine the frequency range setting of a 2003RP-AV:

Step	Query command	Response	Interpretation
1	*IDN?	"CI,2003RP,12345,Rev 1.0"	2003RP series unit.
2	LIM:VOLT?	270	2003RP standard unit
		230	2003RP-AV, dual Vrange.
		115	2003RP-AV, single Vrange
<i>For 2003RP-AV models only:</i>			
3	LIM:FREQ:LOW?	360	Standard frequency range
		400	Fixed 400 Hz (?)
4	LIM:FREQ:HIGH?	5000	Standard frequency range
		400	Fixed 400 Hz

10.10.5 *RCL

This command restores the AC source to a state that was previously stored in memory with a *SAV command to the specified location. The RP Series offers eight non-volatile memory locations for storing instrument setups.

Note: *The state of the LCD display mode and phase selection is not part of the non-volatile setup registers.*

Command Syntax	*RCL <NRf>	
Parameters	0 through 7	
Example	*RCL 3	
Related Commands	*RST *SAV	



WARNING: *Recalling a previously stored state may place hazardous voltages at the AC source output if the output relay state saved is ON.*

10.10.6 *RST

This command resets the AC source to a setting defined by the values in the register defined by PON if valid or by the following factory-defined states:

Table 10-4: *RST Default Parameter Values

Item	Value	Item	Value
VOLT	5.0 V	FREQ	60 Hz
CURR	5.0 A	VOLT:RANGe:LEVel	135 V
		VOLT:RANGe:AUTO	0 (OFF)
OUTP	0 (OFF)	DISP:MODE	1 (FREQ)
OUTP:START:STAT e	0 (OFF)	OUTP:START:PHASe	0

NOTE: The factory defaults cannot be used on units with the -AV option. Instead, one of the setup registers 0 through 7 must be selected for the power on state. Executing the *RST command will recall the settings from the assigned setup register. Use the SYST:PON to select one of the available setup registers for the power on and *RST states.

Command Syntax	*RST
Parameters	None
Related Commands	*SAV

Table 10-5: Status Registers - Power on Conditions

Register	Status on Power On	Status after *RST
- ESE register	All 0's	All 0's
- ESR register	PON bit = 1, all others 0	PON = 0, all others unaffected
- STB register	All 0's	All 0's
- SRE register	All 0's	All 0's

Note: Sending the *RST command will cause the unit to recall the REMOTE or LOCAL state based on the setting of the SYSTem:KLOCK command. This may put the unit in local if this state is set to 0. To avoid this, either set the SYSTem:KLOCK state to 1 or follow the *RST command with a SYST:REM command. See SYSTem:KLOCK for information on the power up remote / local state.

11 Programming Examples

11.1 Introduction

This chapter contains examples on how to program the AC source. Simple examples show you how to program:

- Output functions such as voltage and frequency
- Measurement functions

The examples in this chapter use generic SCPI commands. See Section 0 for information about encoding the commands as language strings. Where appropriate, optional commands are shown for clarity in the examples.

11.2 Bus Throughput and Timing Considerations

The 2003RP has a limit on how fast it can process commands sent over the bus. When developing an application program that controls the 2003RP AC source, this must be considered. Specifically, if non-query commands (commands that don't wait for a response such as output setup commands) are sent at too high a rate, the AC source may not be able to process them. In that case, a -100 Command Error will be reported.

This condition may exist on both RS232 and GPIB interface modes and is more prone when faster controllers are used to run the application software. To prevent this condition, it will be necessary to space out successive commands using a 20 msec delay. Alternatively, commands could be sent to other instruments in the same system to accomplish the same result.

Example:

```
VOLT 100  
delay(0.020)  
FREQ 60
```

Alternatively, a query command can be inserted in which case no additional delays are needed.

```
VOLT 100  
SYST:ERR?  
FREQ 60
```

Programming the Output

Power-on Initialization

When the AC source is first turned on, it wakes up with the output state defined by the PON register number. If the register number or the register has no valid data, the AC source initializes to the following state.

```
VOLT 5.0
FREQ 60
OUTP 0
VOLT:RANG 135
```

The following commands are given implicitly at power-on:

```
*RST
*CLS
*SRE 128
*ESE 0
```

*RST is a convenient way to program all parameters to a known state. Refer to Table 10-4 under the *RST command in paragraph 10.10.6 to see how each programmable parameter is set by *RST.

Enabling the Output

To enable the output, use the command:

```
OUTP 1
```

Voltage and Frequency

The AC rms output voltage is controlled with the VOLTage command. For example, to set the AC output voltage for all three phases to 125 volts rms, use:

```
VOLT 125
```

The maximum voltage that the AC source can output is limited by the rms value of the waveform. This value is defined by the LIMIT subsystem.

Voltage Ranges

The power source has two voltage ranges that are controlled by relays. The command that controls the range is:

```
VOLTage:RANGe 135 | 270
```

When the range is set to (135), the maximum rms voltage that can be programmed is 135 volts rms, but it is only on this range that the maximum output current rating is available.

The VOLT:RANGe command is coupled with the CURRent command. This means that the maximum current limit that can be programmed at a given time depends on the voltage range setting in which the unit is presently operating.

Frequency

The output frequency is controlled with the FREQuency command. To set the output frequency to 400 Hz, use:

```
FREQuency 400
```

Turning on output voltage for all three phases at a specified phase angle

The following command sequence will turn the output voltage on at a specified phase angle. This may be required to measure worst case inrush current.

/* Set up sequence	
VOLT 0	Set output voltage to zero
OUTP 1	Close output relay
INST:COUP 1	Select all phases
OUTP:STAR:STAT 1	Enable start phase mode
OUTP:STAR:PHAS 90	Set start phase angle to 90 degrees
OUTP:DROP	Put AC source in infinite drop mode
VOLT 230	Turn on voltage to 230 V at 90 degrees

Individual Phase Loss Test

The following command sequence will drop the output of phase A only for 10 cycles at 400 Hz.

/* Set up sequence	
VOLT 115;FREQ 400	Set output voltage to 115 V at 400 Hz (all phases)
INST:COUP 0	Uncouple output phases
INST:NSEL 1	Select phase A
OUTP 1	Close output relay
OUTP:STAR:STAT 1	Enable start phase mode
OUTP:STAR:PHAS 90	Set start phase angle to 90 degrees on phase A
OUTP:DROP 0.025	Drop for 25 ms (10 cycles @ 400 Hz)

Current Limit

To set the RMS current limit use (*where <n> is the RMS current limit in amperes*):

CURRent <n>

If the load attempts to draw more current than the programmed limit, the AC source will attenuate its voltage to maintain the output current at the programmed level.

Note: *The CURRent command is coupled with the VOLTage:RANGe. This means that the maximum current limit that can be programmed at a given time depends on the voltage range setting in which the unit is presently operating.*

11.3 Making Measurements

The source has the capability to return current, peak current, crest factor, true power, apparent power, power factor and voltage measurements for any of the three output phases. The INST:NSEL command must be used to select phase A (1), B (2) or C (3). Once a phase has been selected, it remains selected until the next INST:NSEL command is issued.

Note: *The INST:COUP command has no effect on the phase selection for measurements.*

Voltage Measurement

To measure the RMS voltage, use:

OUTP 1	/* Close output relay if it was not closed already.
INST:NSEL 1	/* Select phase A
MEAS:VOLT?	/* Query output voltage measurement

Current Measurements

To measure the RMS current, use:

MEAS:CURRE?

To measure the peak current, use:

MEAS:CURRE:AMPL:RES

/* resets track and hold for peak curr. meas.

/* It may be need to turn the output on or program

/* as specific voltage at this time before taking a

/* peak current reading.

MEAS:CURRE:AMPL:MAX?

/* retrieves peak current reading.

To measure the current crest factor, use:

MEAS:CURRE:CRES?

Power Measurements

To measure the true power, use:

MEAS:POW:REAL?

To measure the apparent power, use:

MEAS:POW:APP?

To measure the power factor, use:

MEAS:POW:PFAC?

Page intentionally left blank

12 Status Registers

You can use status register programming to determine the operating condition of the AC source at any time. For example, you may program the AC source to generate an MSS bit when an event such as a current limit occurs. When the MSS bit is set, your program can then act on the event in the appropriate fashion.

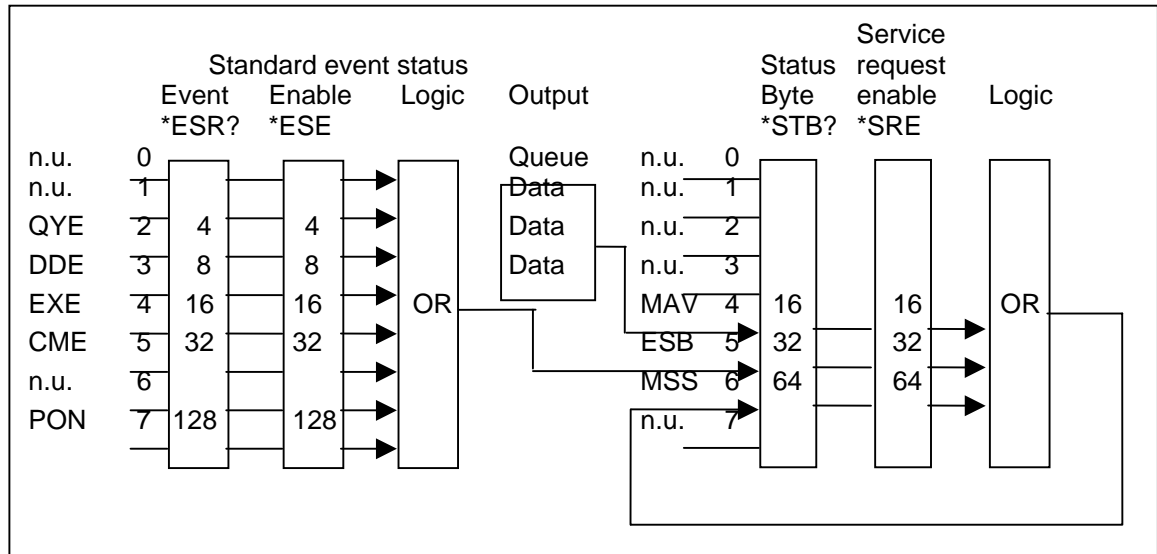


Figure 12-1: AC Source Status System Model

Figure 12-1 shows the status register structure of the AC source. The Standard Event, Status Byte, and Service Request Enable registers and the Output Queue perform standard IEEE-488 functions as defined in the IEEE 488.2 Standard Digital Interface for Programmable Instrumentation.

12.1 Power-On Conditions

Refer to the *RST command description in paragraph 10.10.6 for the power-on conditions of the status registers.

12.2 Standard Event Status Group

This group consists of an Event register and an Enable register that are programmed by Common commands. The Standard Event register latches events relating to interface communication status. It is a read-only register that is cleared when read. The Standard Event Enable register functions similarly to the enable registers of the Operation and Questionable status groups.

Command	Action
*ESE	programs specific bits in the Standard Event Enable register.
*ESR?	reads and clears the Standard Event register.

The PON bit in the Standard Event register is set whenever the AC source is turned on.

12.3 Status Byte Register

This register summarizes the information from all other status groups as defined in the IEEE 488.2 Standard Digital Interface for Programmable Instrumentation. The bit configuration is shown in Table 10-6.

Command	Action
*STB?	reads the data in the register but does not clear it (returns MSS in bit 6)

The MSS Bit

This is a real-time (unlatched) summary of all Status Byte register bits that are enabled by the Service Request Enable register. MSS is set whenever the AC source has one or more reasons for needing service. *STB? reads the MSS in bit position 6 of the response but does not clear any of the bits in the Status Byte register.

The MAV bit and Output Queue

The Output Queue is a first-in, first-out (FIFO) data register that stores AC source-to-controller messages until the controller reads them. Whenever the queue holds one or more bytes, it sets the MAV bit (bit 4) of the Status byte register.

12.4 Examples

The following section contains examples of commonly used operations involving the status registers.

You can determine the reason for an MSS bit set by the following actions:

Step 1 : Determine which summary bits are active. Use:

*STB?

Step 2 : Read the corresponding Event register for each summary bit to determine which events caused the summary bit to be set. Use:

*ESR?

Note: *When an Event register is read, it is cleared. This also clears the corresponding summary bit.*

Step 3 : Remove the specific condition that caused the event. If this is not possible, the event may be disabled by programming the corresponding bit of the status group Enable.

Appendix A: SCPI Command tree

Command Syntax Tree

Root	Level 1	Level 2	Level 3	Level 4	
	CALibrate	:STATe			
		:MEASure	:CURRent	:FSCale]	
			:ZERO		
			:PCURrent	:FSCale]	
			:ZERO		
	:POWer	:FSCale]			
			:ZERO		
			:VOLTage	:FSCale]	
				:ZERO	
		:[:SOURce]:VOLTage			
	INSTrument	:COUPling			
		:NSElect			
		[SOURce]	:CURRent		
			:FREQuency		
			:VOLTage	:LEVel]	
		:RANGe			
OUTPut	:[:RELay]				
	:DROP				
	:STARt	:[:STATe]			
		:PHASe			
MEASurement	:CURRent?		:AMPLitude	:MAX?	
			:CREStfactor	:RESet	
			:RANGe		
	:POWer	:[:REAL]?			
		:APParent?			
	:VOLTage?	:PFACtor?			
DISPlay	:MODE				
SYSTem	:PON				
	:REMote				
	:LOCAl				
	:KLOCK				
	:SAVE				
LIMit	:CURRent				
	:VOLTage				
	:FREQuency	:LOW			
		:HIGH			

Appendix B: SCPI Conformance Information

SCPI Version

The RP Series AC power sources conform to SCPI version 1990.0.

Appendix C: Error Messages

Error Number	Error Message String	Error Causes
0	"No error"	
-100	"Command error"	Generally the result of sending a command that uses incorrect syntax. This same error may result from the inability of the AC source to process successive GPIB non-query commands sent to it. To avoid this condition, it is necessary for the application programmer to insert a 20 msec delay between commands.
-200	"Execution error"	Generally the result of sending a value that is out of range, i.e., a VOLT 200 command when the unit is in the 135 V (Low) range.
-300	"Device specific error"	Generally the result of an over current (current limit trip) or over temperature condition.
-350	"Queue overflow"	Generally caused by too many errors being generated without reading error status, causing error buffer to overflow.
-400	"Query error"	Generally caused by sending a query followed by another command without accepting the query response first.

Table 12-1: Bus Error Messages

Index

A

Acoustic..... 10
 Altitude..... 10

B

bugs..... 61

C

CALibrate:MEASure:CURRent:ZERO 84
CALibrate:MEASure:CURRent[
 FSCale] 84
CALibrate:MEASure:PCURRent:ZERO 84
CALibrate:MEASure:PCURRent[
 FSCale] 84
CALibrate:MEASure:POWER:ZERO 85
CALibrate:MEASure:POWER[
 FSCale] 85
CALibrate:MEASure:VOLTage:ZERO 85
CALibrate:MEASure:VOLTage[
 FSCale] 85
CALibrate:STATE..... 83
CALibrate[:SOURce]:VOLTage..... 86
 Calibration 43
 CLS..... 103
 command
 subsystem..... 82
 commands
 bus 82
 common 78
 comments 61
 Connect 66
 Construction
 internal 9
 Conventions 76
 Cooling 9
 Current
 Constant current mode 33
 Constant Voltage 33
 specification 4
CURRent 91

D

Dimensions..... 9
DISPlay:MODE..... 99

E

Efficiency 3
 Emissions 10
 ESE 103
 ESR? 104

F

factory
 default power on setting 32
 Finish
 paint..... 9
 form
 End-user feedback 61
 formats
 data 81
 forms
 bug report 61
 Frequency
 specification 5
FREQuency 92
 frequency range
 2003RP-AV 98
 fixed..... 98
 front panel 24, 61
 lock 25
 Function Strobe 33
 Functional Test 21

G

GPIB 63
 address selection 63
 troubleshooting..... 71

H

hard disk space
 required to install 66
 header
 optional 80
 separator 80
Header 77
 Hold-Up Time..... 3
 Humidity 10

I

IDN? 105
IEEE-488..... 40, 63
 address selection 63
 troubleshooting..... 71
 Immunity 10
 Impedance
 specification 5
 initialization
 changing..... 32
 Input power factor 3
 Inrush Current..... 3
 installation 18, 66
 program 66
 Installing

software	67
INSTrument:COUPlE.....	90
INSTrument:NSElect.....	90
Insulation	10
Introduction	1
Isolation Voltage.....	3

K

keyboard	
lock out	100
knob.....	27

L

LabView	
RS232C terminator.....	64
LED	53
LED indicators.....	53
LIMit:CURREnt?	98
LIMit:FREQUency:HIGH?	98
LIMit:FREQUency:LOW?	98
LIMit:VOLTagE?	99
Line Current:	3
Line Frequency	3
Line Voltage	3

M

maintenance.....	53
Material	
chassis.....	9
MEASure:CURREnt:AMPLitdue:RESet	88
MEASure:CURREnt:AMPLitude:MAX?	88
MEASure:CURREnt:CREStfactor?	88
MEASure:CURREnt:RANGe.....	88
MEASure:CURREnt?	87
MEASure:POWer:APParent?	89
MEASure:POWer:PFACtor?	89
MEASure:POWer[
REAL]?	89
MEASure:VOLTagE[:AC]?	87
memory	
required to install	66
models	
supported.....	61

O

Output	
specification.....	3
OUTPut:DROp	95
OUTPut:STARt:PHASe.....	97
OUTPut:STARt[:STATe]	97
OUTPut[:RELay]	94
Overcurrent	9
overload	25
Overtemperature	9

P

PGUI32	61
Pollution Degree	10

Q

queries	78
---------------	----

R

RCL.....	105
registration.....	74
remote control.....	25
Remote Inhibit.....	34
replacement parts.....	59
Requirements	
PGUI32	61
root.....	80
Root	77
RS232C	40
RST.....	106

S

Safety.....	10
SAV.....	107
SCPI	76
message.....	76
program message	76
response message.....	76
Separator	80
Setup	
program.....	66
Shock.....	10
Short Circuit	
current.....	9
shuttle	27
simulation mode	63
SOURce:CURREnt.....	91
SOURce:FREQUency.....	92
SOURce:VOLTagE.....	92
SOURce:VOLTagE:RANGe:AUTO	94
SOURce:VOLTagE:RANGe[:LEVel].....	93
SRE	107
status	25
STB?.....	107
suggestions	61
SYSTem:ERRor?	100
SYSTem:KLOCK.....	100
SYSTem:LOCAl	100
SYSTem:PON.....	101
SYSTem:REMote	101
SYSTem:SAVE.....	101

T

Temperature	
operating,storage	10
terminator.....	80

RS232C	64	dual.....	99
Transients		single	99
Input.....	9	voltage ranges	20
troubleshooting.....	53	VOLTage:RANGe:AUTO	94
V		VOLTage:RANGe[;LEVel]	93
Vibration	10	W	
Voltage		Weight.....	9
specification	3	wiring	
VOLTage	92	input.....	18
voltage range			